

**DEVICES COVERED IN THIS DOCUMENT:**

2-659-0240	2-659-0370
2-659-0371	2-659-0369
2-659-0374	2-659-0373

In order to simplify installation, the table below summarizes technical specifications, electrical box requirements, and suggested installation locations for the Restroom Kit and Emergency Kit components.

	COMPONENT	TECHNICAL SPECIFICATION	BOX <sup>1</sup>	LOCATION
<b>RESTROOM</b>	Logic Module	12 – 24 VAC/VDC ±10% see instruction I-EA00111	N/A	inside door header
	“PUSH TO LOCK” Button	lamp C-656: 15 – 24 V, 0.06 A lamp CM-161: 12 – 14 V, 0.19 A SPDT switch: 10 A @ 120 VAC / 28 VDC	single-gang	inside restroom, near door
	Occupied Indicator	12 – 24 VAC/VDC ±10% jumper ON = SOUND (82dB @ 5V) jumper OFF = NO SOUND	single-gang	outside restroom, near door
	Door Position Switch	SPDT, 30 VAC/VDC, 0.25 A, 3.0 W gap distance: 2.0 in	N/A	on door
<b>EMERGENCY</b>	Emergency Button	12 – 24 VAC/VDC ±10% DPDT switch: 10 A @ 24 VAC/VDC jumper ON = SOUND (82dB @ 5V) jumper OFF = NO SOUND	double-gang	inside restroom, near toilet
	Assistance Required Signal	lamp #313: 28 VAC/VDC sounder: 16 – 25 VAC/VDC, 15 mA	single-gang	outside restroom, above door
	Emergency Signage	N/A	N/A	inside restroom, above Emergency Button

<sup>1</sup>Additional electrical boxes may be required for interior and exterior activation push plates.

**INSTALLATION/SERVICE COMPLIANCE EXPECTATIONS**

The sensor manufacturer cannot be held responsible for incorrect installations or inappropriate adjustments of the sensor/device; therefore, the sensor manufacturer does not guarantee any use of the sensor outside of its intended purpose.

The sensor manufacturer strongly recommends that installation and service technicians be AAADM-certified for pedestrian doors, IDA-certified for doors/gates, and factory-trained for the type of door/gate system.

Installers and service personnel are responsible for executing a risk assessment following each installation/service performed, ensuring that the sensor system installation is compliant with local, national, and international regulations, codes, and standards.

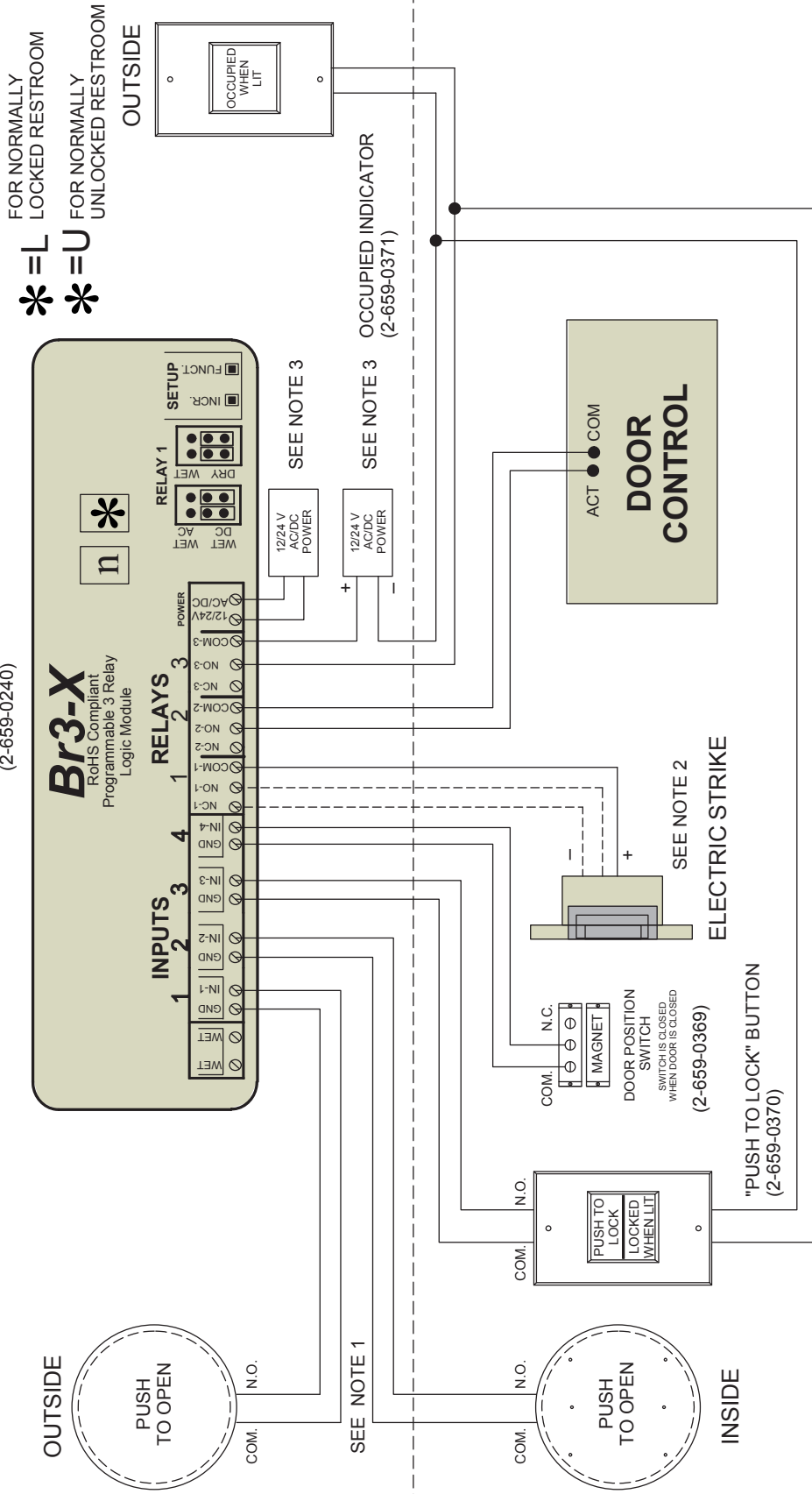
Once installation or service work is complete, a safety inspection of the door/gate shall be performed per the door/gate manufacturer recommendations and/or per AAADM/ANSI/DASMA guidelines (where applicable) for best industry practices. Safety inspections must be performed during each service call – examples of these safety inspections can be found on an AAADM safety information label (e.g. ANSI/DASMA 102, ANSI/DASMA 107).

Verify that all appropriate industry signage and warning labels are in place.



**BR3-X RESTROOM KIT WIRING DIAGRAM**

(2-659-0240)



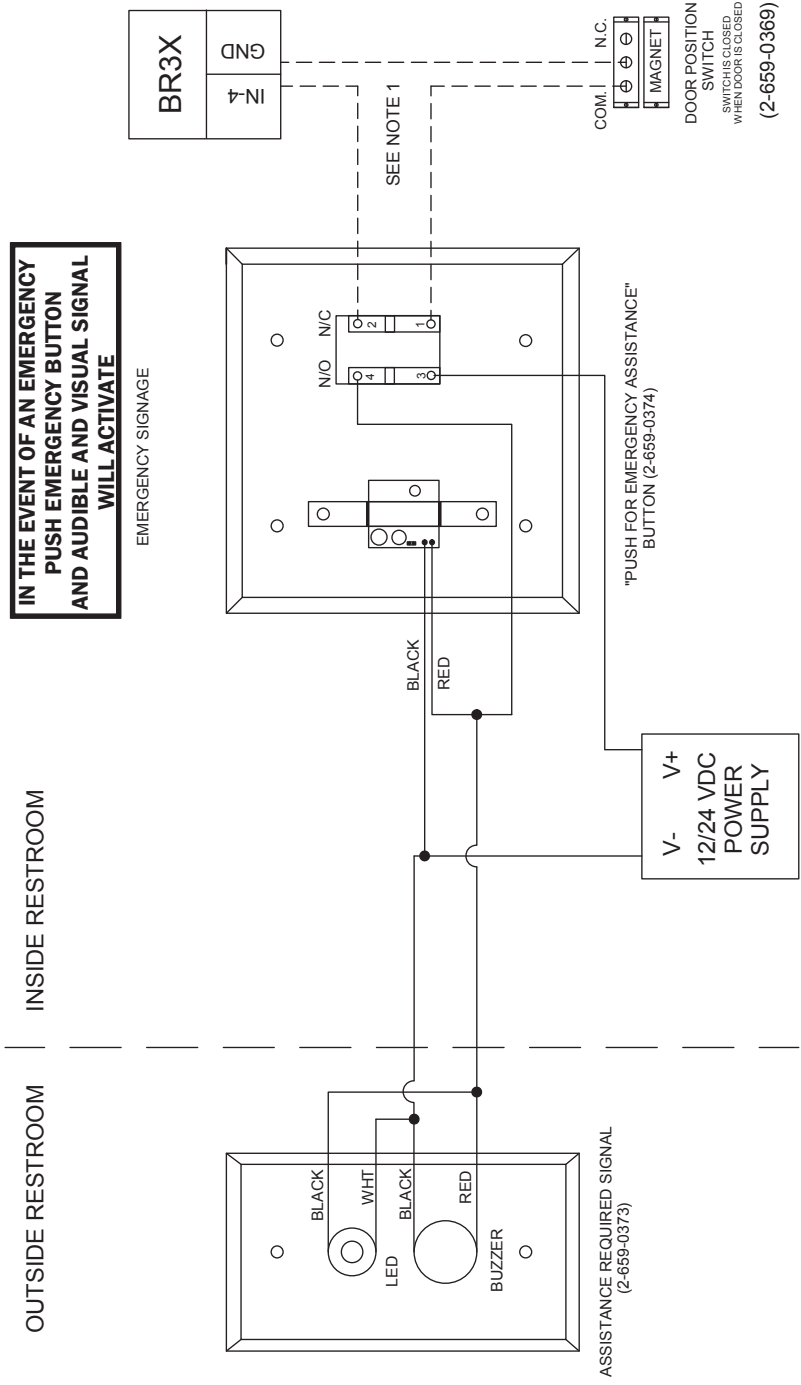
- NOTES:**
- 1) FOR INPUTS 1 & 2 ANY "DRY" CONTACT ACTIVATION DEVICE MAY BE USED.
  - 2) FAIL SAFE FOR NORMALLY UNLOCKED (WIRE N.O.)  
 FAIL SECURE FOR NORMALLY LOCKED (WIRE N.C.)
  - 3) ONE POWER SUPPLY CAN BE USED TO POWER ALL DEVICES.
  - 4) KIT DOES NOT INCLUDE POWER SUPPLY, PUSH PLATES, ELECTRIC STRIKE OR DOOR CONTROL.

**EMERGENCY ADD-ON KIT WIRING DIAGRAM**

**TECHNICAL SPECIFICATIONS**

ARS  
 Lamp #313: 28 VAC/VDC  
 Sounder 16-25 VAC/VDC, 15mA

EBUTTONCOMBO  
 12-24 VAC/VDC +/- 10%  
 JUMPER ON = SOUND  
 JUMPER OFF = NO SOUND

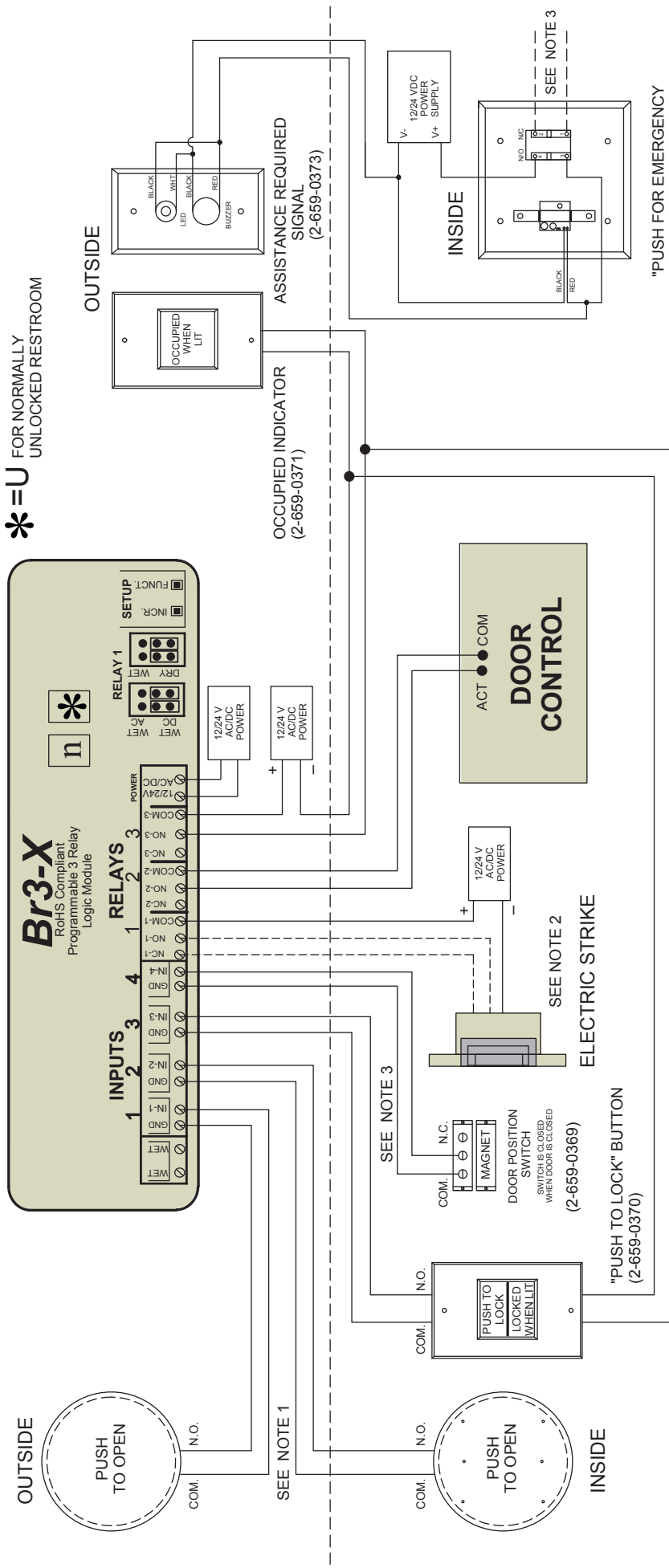


NOTES: 1) CONNECT IN SERIES WITH DOOR POSITION SWITCH WHEN USED WITH BR3-X RESTROOM CONTROL MODULE

**BR3-X RESTROOM KIT / EMERGENCY ADD-ON KIT WIRING DIAGRAM**

\* = L FOR NORMALLY LOCKED RESTROOM  
 \* = U FOR NORMALLY UNLOCKED RESTROOM

(2-659-0240)



- NOTES:**
- 1) FOR INPUTS 1 & 2 ANY "DRY" CONTACT ACTIVATION DEVICE MAY BE USED.
  - 2) FAIL SAFE FOR NORMALLY LOCKED (WIRE N.O.)  
 FAIL SECURE FOR NORMALLY UNLOCKED (WIRE N.C.)
  - 3) CONNECT IN SERIES WITH DOOR POSITION SWITCH WHEN USED WITH BR3-X RESTROOM CONTROL MODULE

**IN THE EVENT OF AN EMERGENCY  
 PUSH EMERGENCY BUTTON  
 AND AUDIBLE AND VISUAL SIGNAL  
 WILL ACTIVATE**

EMERGENCY SIGNAGE