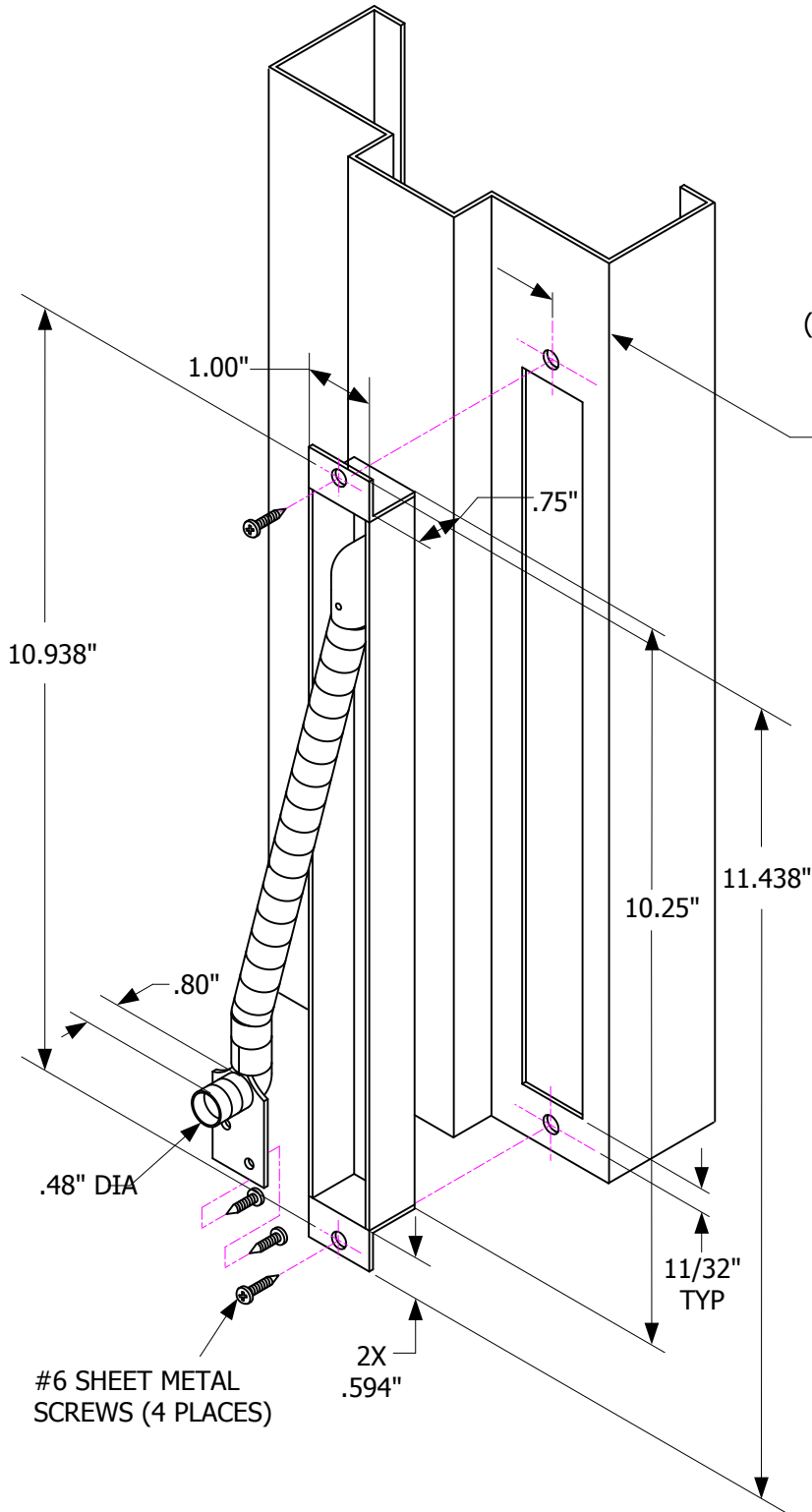


**TEMPLATE
CONCEALED POWER TRANSFER**

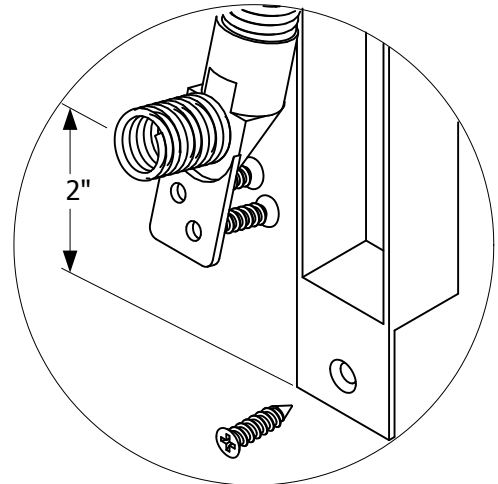


**FRAME
PREPARATION**
10.25" L x 1.00" W x .75" D
(260.35mm L x 25.4mm W x 19.05mm D)

7/8" FROM OUTSIDE
FACE OF DOOR

**DOOR
PREPARATION**
.50" DIA. HOLE x .80" DEPTH
(12.7mm DIA HOLE x 20.32mm DEPTH)

**NOTE: ACCEPTS JACKETED CABLE
UP TO 5/16" DIAMETER**



**FOR WOOD AND METAL DOORS AND FRAMES.
INTENDED FOR DOOR
OPENINGS LESS THAN 120°. NOT INTENDED FOR CENTER HUNG
DOOR APPLICATIONS**