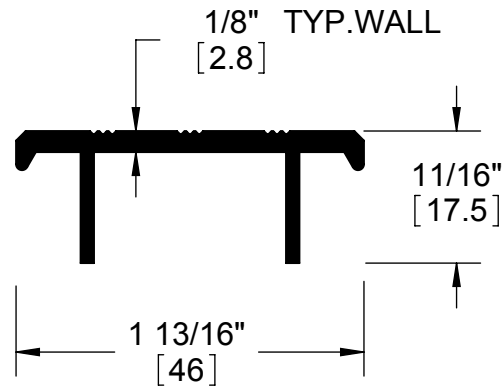



REV.	DESCRIPTION	ECO NO.	DATE
-	INITIAL CHECK IN	-	2/19/2013



#10 x 1-1/2" FLAT PHILLIPS HEAD WOOD SCREWS (Factory Provided)

 <p>PROPRIETARY & CONFIDENTIAL THE INFORMATION CONTAINED IN THIS DRAWING IS THE SOLE PROPERTY OF HAGER COMPANIES. ANY REPRODUCTION IN PART OR AS A WHOLE WITHOUT THE WRITTEN PERMISSION OF HAGER COMPANIES IS PROHIBITED.</p>	<p>HAGER RESERVES THE RIGHT TO MAKE DESIGN CHANGES WITHOUT NOTICE. CALL HAGER ENGINEERING AT 1-800-325-9995 FOR THE LATEST REVISION DATE OF TEMPLATE.</p>	DRAWN	MRJ	8/12/2011	<p>508S CARPET THRESHOLD</p>		
		ENG. APPR.	-	-			
		MATERIAL	6063-T6		Q.A.		
		FINISH	-		<p>TOLERANCES: FRACTIONAL: ±0.015" ANGULAR: MACH: ± 1° BEND: ±1° TWO PLACE DECIMAL: ±0.01" THREE PLACE DECIMAL: ±0.004"</p>		SIZE
DO NOT SCALE DRAWING				<p>A S-TW00043</p>		-	
		SCALE: 1:1	WEIGHT: 0.11		SHEET 1 OF 1		