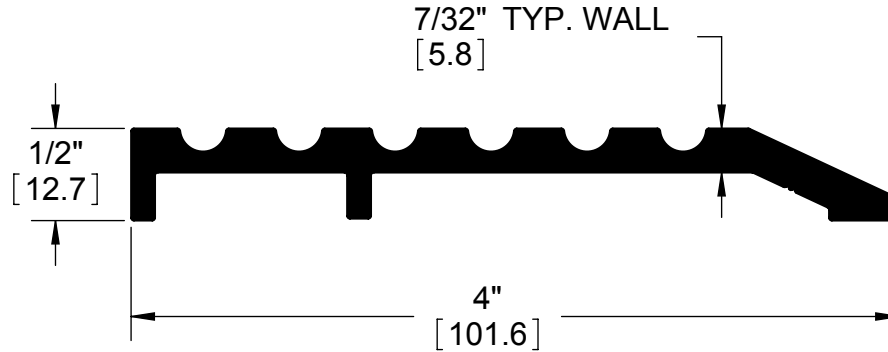



REV.	DESCRIPTION	ECO NO.	DATE
-	INITIAL CHECK IN		2/20/2013



#10 x 1-1/2" Flat Phillips Head Wood Screws (Factory Provided)

 <p>PROPRIETARY & CONFIDENTIAL THE INFORMATION CONTAINED IN THIS DRAWING IS THE SOLE PROPERTY OF HAGER COMPANIES. ANY REPRODUCTION IN PART OR AS A WHOLE WITHOUT THE WRITTEN PERMISSION OF HAGER COMPANIES IS PROHIBITED.</p>	<p>HAGER RESERVES THE RIGHT TO MAKE DESIGN CHANGES WITHOUT NOTICE. CALL HAGER ENGINEERING AT 1-800-325-9995 FOR THE LATEST REVISION DATE OF TEMPLATE.</p>	DRAWN	MRJ	8/17/2011	<p>432S HALF SADDLE THRESHOLD</p>			
		MATERIAL	6063-T6					ENG. APPR.
		FINISH	-		Q.A.			<p>SIZE A DWG. NO. S-TW00059 REV. -</p>
		DO NOT SCALE DRAWING			<p>TOLERANCES: FRACTIONAL: ±0.015" ANGULAR: MACH: ± 1° BEND: ±1° TWO PLACE DECIMAL: ±0.01" THREE PLACE DECIMAL: ±0.004"</p>		SCALE: 1:1	