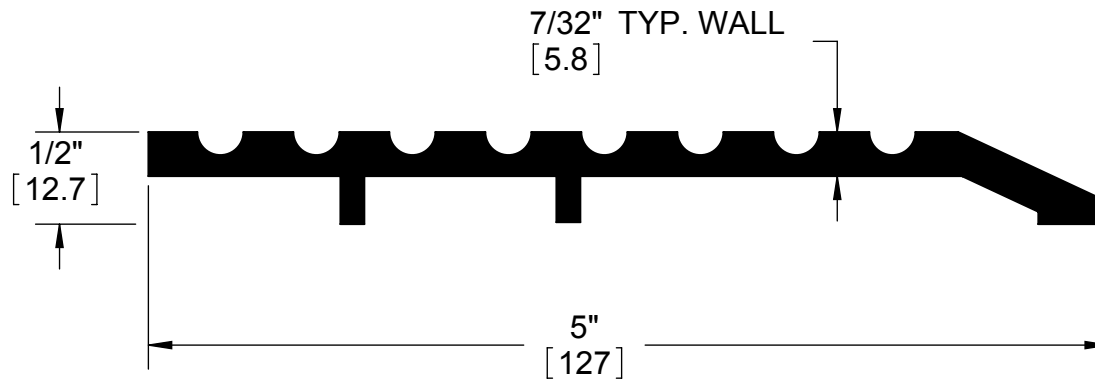



REV.	DESCRIPTION	ECO NO.	DATE
-	INITIAL CHECK IN		2/20/2013



#10 x 1-1/2" Flat PHillips Head Wood Screws (Factory Provided)

 <p>PROPRIETARY & CONFIDENTIAL THE INFORMATION CONTAINED IN THIS DRAWING IS THE SOLE PROPERTY OF HAGER COMPANIES. ANY REPRODUCTION IN PART OR AS A WHOLE WITHOUT THE WRITTEN PERMISSION OF HAGER COMPANIES IS PROHIBITED.</p>	<p>HAGER RESERVES THE RIGHT TO MAKE DESIGN CHANGES WITHOUT NOTICE. CALL HAGER ENGINEERING AT 1-800-325-9995 FOR THE LATEST REVISION DATE OF TEMPLATE.</p>	<p>DRAWN</p> <p>MRJ</p> <p>8/17/2011</p>	<p>431S HALF SADDLE THRESHOLD</p>		
		<p>ENG. APPR.</p> <p>-</p> <p>-</p>			
		<p>MATERIAL</p> <p>6063-T6</p>	<p>Q.A.</p>	<p>SIZE DWG. NO. REV.</p> <p>A S-TW00058 -</p>	
		<p>FINISH</p> <p>-</p>	<p>TOLERANCES: FRACTIONAL: ±0.015" ANGULAR: MACH: ±1° BEND: ±1° TWO PLACE DECIMAL: ±0.01" THREE PLACE DECIMAL: ±0.004"</p>		
<p>DO NOT SCALE DRAWING</p>					