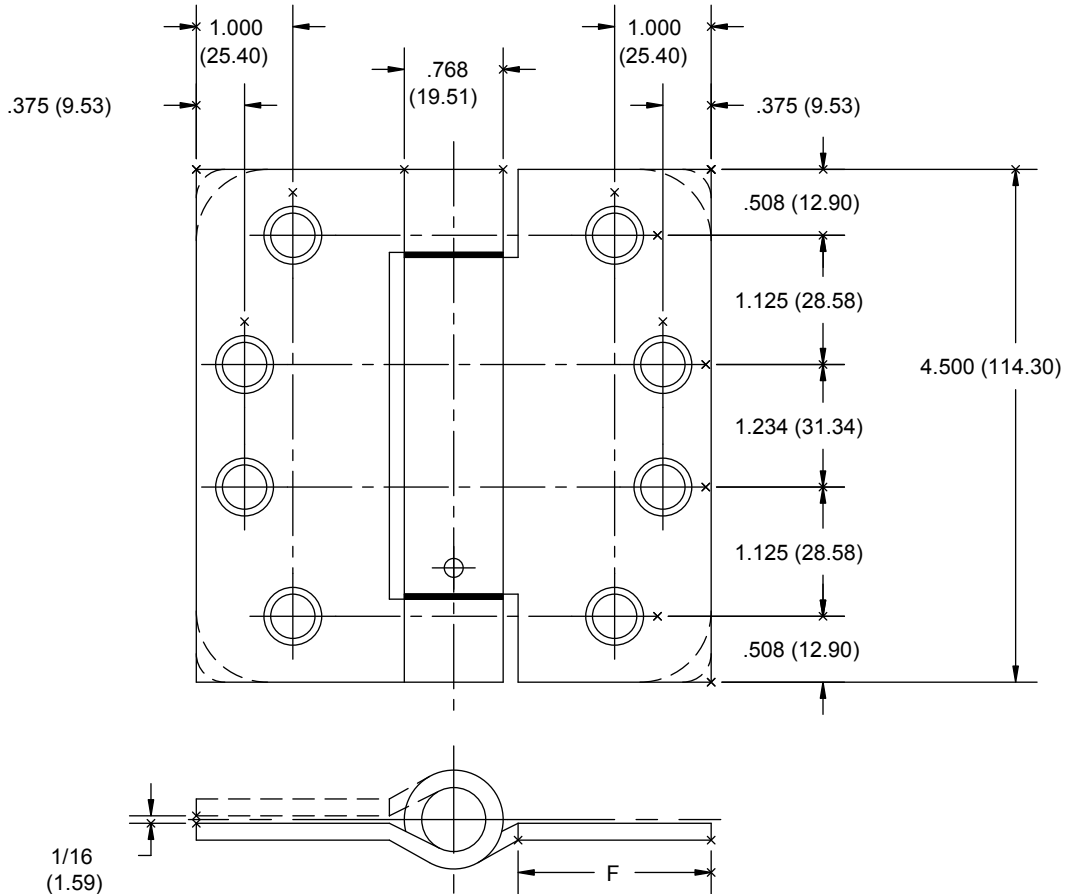


**FULL MORTISE  
REVERSE ACTING SPRING  
TEMPLATE HINGES**

Template No. T 407

Rev. 1A 10-31-02

SIZE: 4 1/2 x 4 --- 4 1/2 x 4 1/2  
(114.30 x 101.60) (114.30 x 114.30)



**-DO NOT SCALE-**

CATALOG NUMBER	TYPICAL CORNER RADII	METAL GAUGE	(F) DISTANCE FROM EDGE OF LEAF TO SWAGE LINE	
			4 1/2 X 4 (114.30 X 101.60)	4 1/2 X 4 1/2 (114.30 X 114.30)
1257	SQUARE	.134 (3.40)	1 9/16 (39.69)	1 13/16 (46.04)
1258	1/4 (6.35)	.134 (3.40)	1 9/16 (39.69)	1 13/16 (46.04)
1259	5/8 (15.88)	.134 (3.40)	1 9/16 (39.69)	1 13/16 (46.04)

ALL NON-BRACKETED DIMENSIONS ARE IN INCHES, ALL BRACKETED DIMENSIONS ARE IN MILLIMETERS.

Machine Screw Size- 12-24 x 1/2" F.H.

Wood Screw Size- No. 12 x 1 1/4" F.H.



Hager template hinges are made in size, gauge and with screw holes located to conform to ANSI-A156.7.

HAGER RESERVES THE RIGHT TO MAKE DESIGN CHANGES WITHOUT NOTICE. CALL HAGER ENGINEERING AT 1-800-325-9995 FOR LATEST REVISION DATE OF TEMPLATE.

**HAGER COMPANIES**  
139 VICTOR STREET  
P.O. BOX 12300  
ST. LOUIS, MISSOURI 63157-0300

Template No. T 407