

1

2

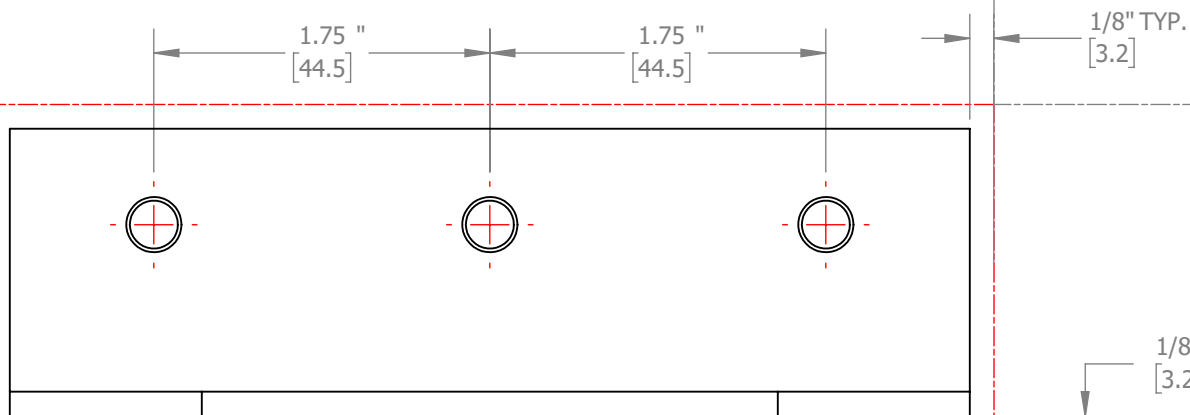
3

4

NOTE:

- 1. MUST BE PRINTED ON SIZE A SHEET

1. CUT TEMPLATE ALONG THE DOTTED LINES
2. PLACE TEMPLATE ON DOOR
3. MARK/DRILL HOLES



FOR LH DOORS
PLACE THIS CORNER
ON BOTTOM CORNER
OF DOOR
OPPOSITE HINGES

PLACE ON BOTTOM OF DOOR

FOR RH DOORS
PLACE THIS CORNER
ON BOTTOM CORNER
OF DOOR
OPPOSITE HINGES



PROPRIETARY & CONFIDENTIAL
THE INFORMATION CONTAINED IN THIS DRAWING IS THE SOLE PROPERTY OF HAGER COMPANIES. ANY REPRODUCTION IN PART OR AS A WHOLE WITHOUT THE WRITTEN PERMISSION OF HAGER COMPANIES IS PROHIBITED.

HAGER RESERVES THE RIGHT TO MAKE DESIGN CHANGES WITHOUT NOTICE. CALL HAGER ENGINEERING AT 1-800-325-9995 FOR THE LATEST REVISION DATE OF TEMPLATE.

ALL DIMENSIONS REFERENCE UNLESS TOLERANCE SPECIFIED.

UNITS: INCH = AUTHORITY
[] = MILLIMETER REFERENCE

DO NOT SCALE

DRAWN BY:	KC	5/4/2020
ENG. APPR.:		
 THIRD ANGLE PROJECTION		
MATERIAL:	N/A	
FINISH:	N/A	
WEIGHT:	0.11 lbs	

SERIES NO.	190F	COMPONENT NO.	
PART DESCRIPTION: TEMPLATE FOR 190F			
DRAWING NO.	T-TA01266	REVISION	-
SHEET SIZE:	A	SCALE:	1:2
		SHEET 1 OF 1	