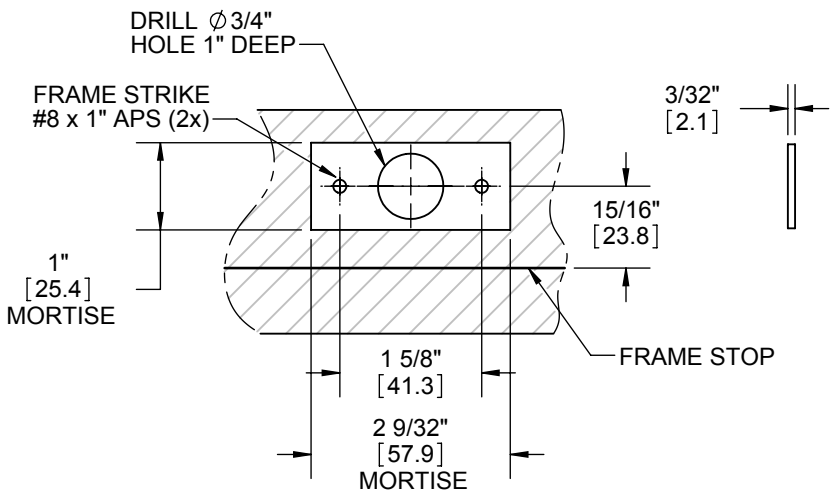


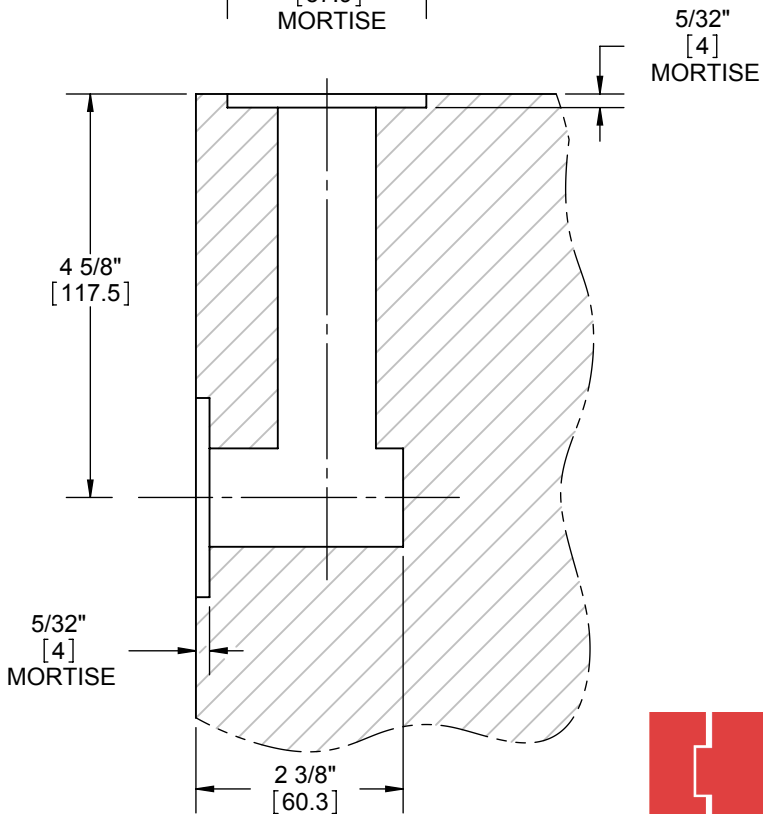
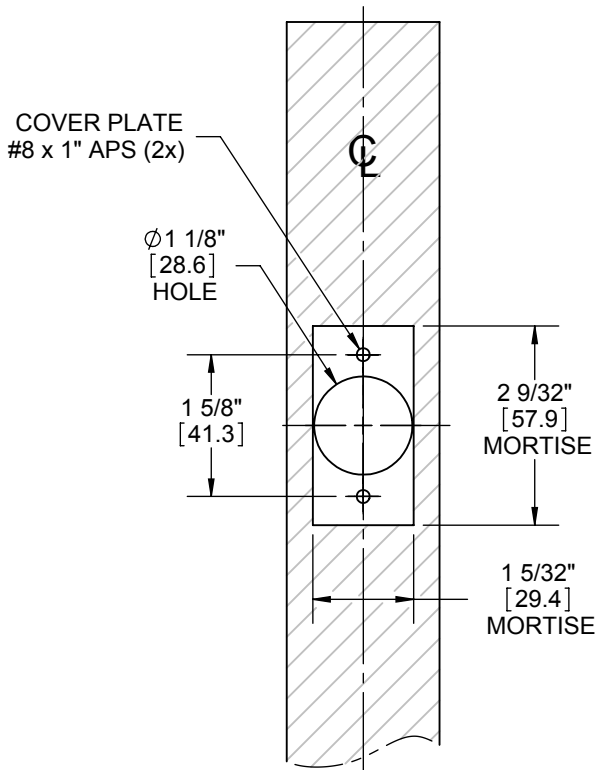
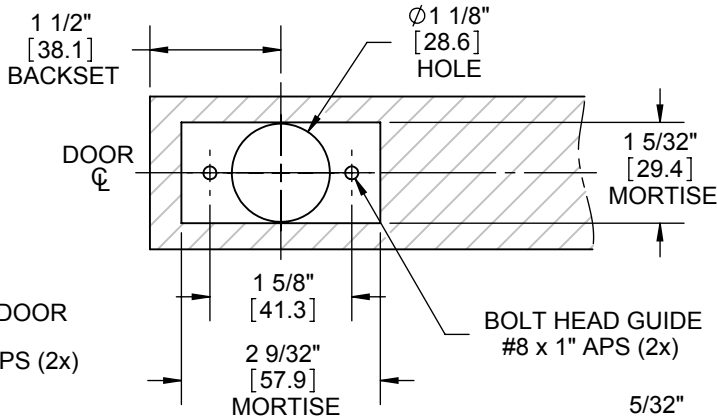
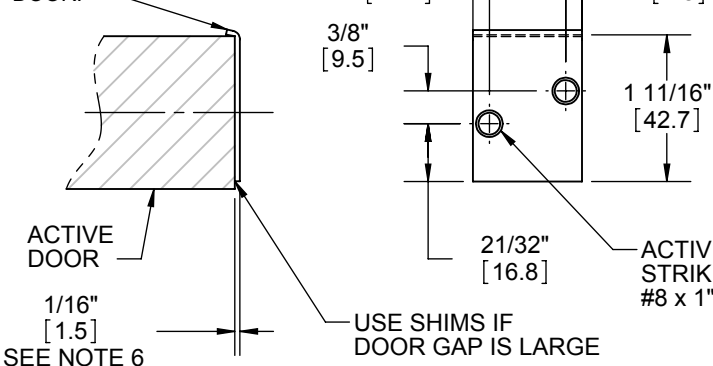
NOTES:

- 296W CONSISTS OF TWO FLUSHBOLTS AT THE TOP AND BOTTOM OF THE DOOR.
- TEMPLATE SHOWS TOP INSTALLATION, FOR BOTTOM INSTALLATION INVERT AND MEASURE FROM BOTTOM EDGE OF DOOR.
- 1-1/2 HR FIRE RATING FOR WOOD DOORS UP TO 4 FT. WIDE X 9 FT. TALL.
- DO NOT EXCEED THE 5/32" [4] MORTISE DEPTH FOR THE BOLT HEAD GUIDE AND COVER PLATE TO ASSURE PROPER OPERATION.
- DRILL  $\phi$  1-1/8" [6.4] HOLES PERPENDICULAR TO THE DOOR EDGES TO ASSURE PROPER MOUNTING.
- PERIODICALLY GREASING THE CAM WITH LITHIUM BASED GREASE WILL INCREASE THE LIFE OF THE FLUSHBOLTS.
- WHEN INSTALLING PRODUCT ON A PAIR OF DOORS IN A FIRE RATED OPENING WHERE THE GAP BETWEEN THE TWO DOORS WILL BE SMALLER THAN 3/16" [4.5], MORTISE THE ACTIVE DOOR STRIKE 1/16" [1.5] DEEP.
- SEE PAGE 2 FOR DETAILS ON INSTALLATION.

# 296W AUTOMATIC FLUSHBOLT SET WOOD DOOR & FRAME PREP TEMPLATE



INSTALL CURVED LIP ON THE DOOR EDGE THAT MAKES INITIAL CONTACT WITH FLUSHBOLT ON THE INACTIVE DOOR.

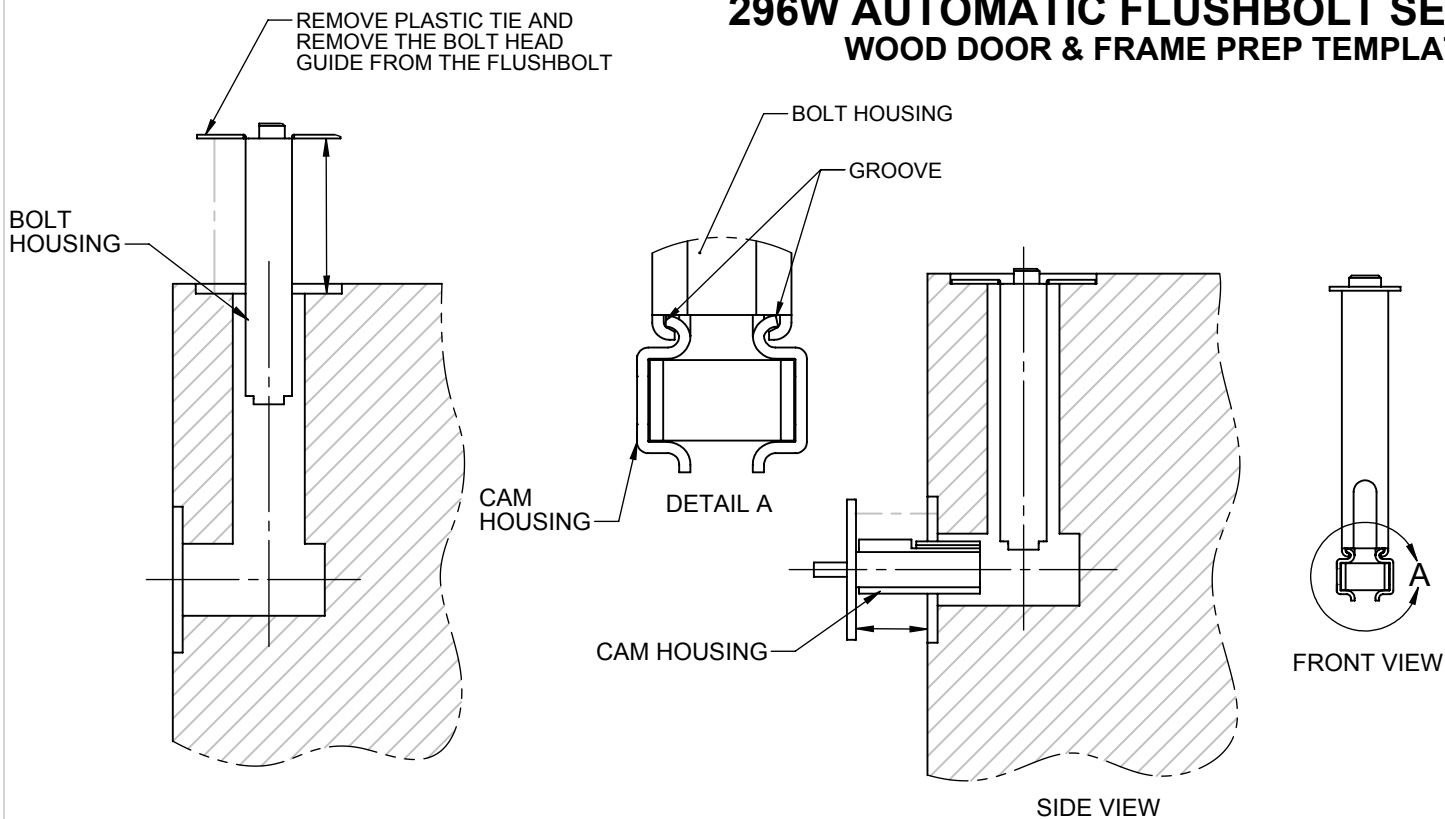


NOTE: HAGER RESERVES THE RIGHT TO MAKE PART CHANGES AND IS NOT RESPONSIBLE FOR OBSOLETE DRAWING ERRORS. TO ENSURE YOUR DRAWING IS CURRENT VISIT WWW.HAGERCO.COM.

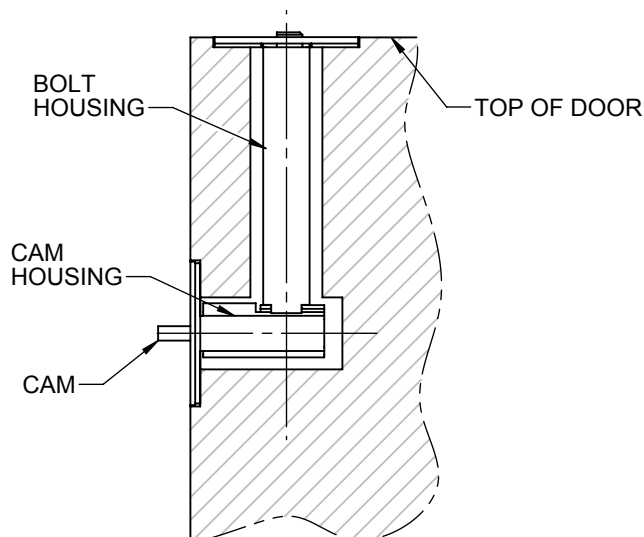
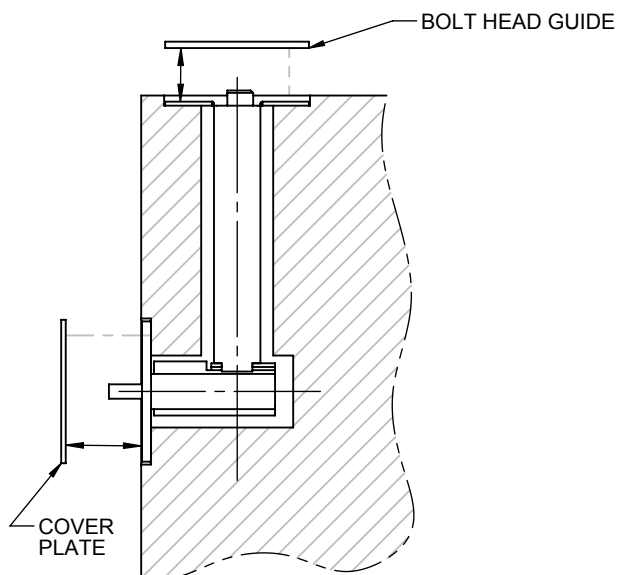


**NOT TO SCALE**  
DIMENSIONS IN [ ] ARE IN MILLIMETERS

# 296W AUTOMATIC FLUSHBOLT SET WOOD DOOR & FRAME PREP TEMPLATE



1. REMOVE PLASTIC TIE AND SEPARATE THE BOLT HEAD GUIDE FROM THE REST OF THE FLUSHBOLT.
2. INSERT THE LARGER OF THE TWO FLUSHBOLT ASSEMBLIES INTO THE PREPPED HOLE IN THE TOP EDGE OF THE DOOR. PUSH THE FLUSHBOLT HOUSING DOWN THRU THE DOOR UNTIL IT SITS TIGHT TO THE MORTISED AREA IN THE TOP OF THE DOOR. **(DO NOT SCREW TO THE DOOR YET)**
3. INSTALL CAM HOUSING INTO THE PREPPED HOLE IN THE SIDE OF THE DOOR. THE CAM HOUSING SHOULD SLIDE INTO THE GROOVES OF THE BOLT HOUSING. (SEE "DETAIL A" FOR DETAILS)
4. CHECK TO MAKE SURE THAT RETRACTING THE BOLT ON THE CAM HOUSING EXTENDS THE TOP BOLT. (GENTLY TWIST THE CAM HOUSING, IF IT ROTATES, THE CAM HOUSING MAY NOT BE CORRECTLY ATTACHED TO THE BOLT HOUSING GROOVES)



5. SECURE BOLT HEAD GUIDE WITH TWO #8 SCREWS.
6. INSTALL COVER PLATE OVER CAM HOUSING AND SECURE WITH TWO #8 SCREWS.
7. FLUSHBOLT SHOULD LOOK LIKE THE PICTURE ABOVE WHEN INSTALLED.
6. INSTALL THE BOTTOM SET FOLLOWING THE SAME INSTRUCTIONS.

NOTE: HAGER RESERVES THE RIGHT TO MAKE PART CHANGES AND IS NOT RESPONSIBLE FOR OBSOLETE DRAWING ERRORS. TO ENSURE YOUR DRAWING IS CURRENT VISIT [WWW.HAGERCO.COM](http://WWW.HAGERCO.COM).



**NOT TO SCALE**  
DIMENSIONS IN [ ] ARE IN MILLIMETERS

TEMPLATE NO: T296W

DRAWING NO: T-TA00181

REV: 05

SHEET 2 OF 2

**HAGER COMPANIES** 139 Victor Street, St. Louis, MO 63104 - (800) 325-9995 - Fax (800) 782-0149