

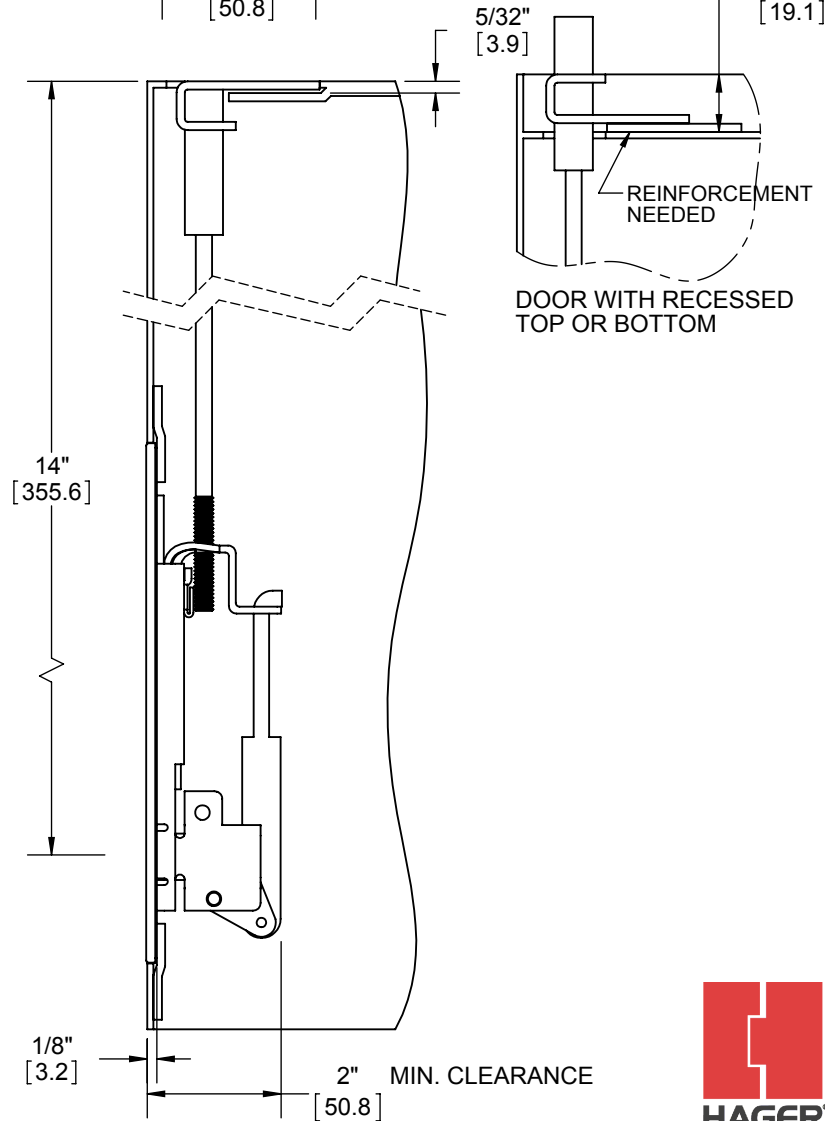
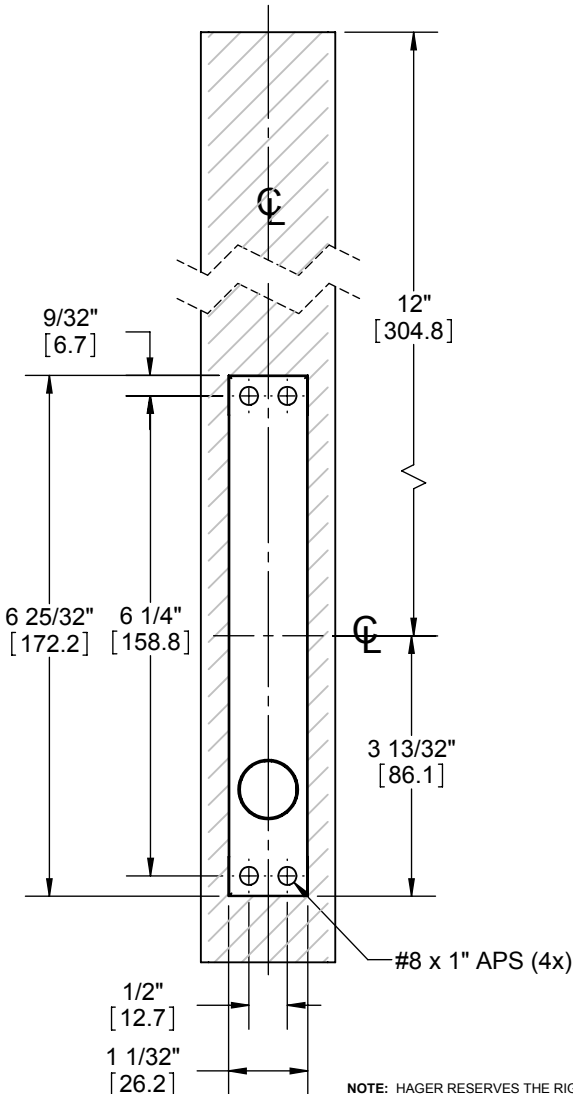
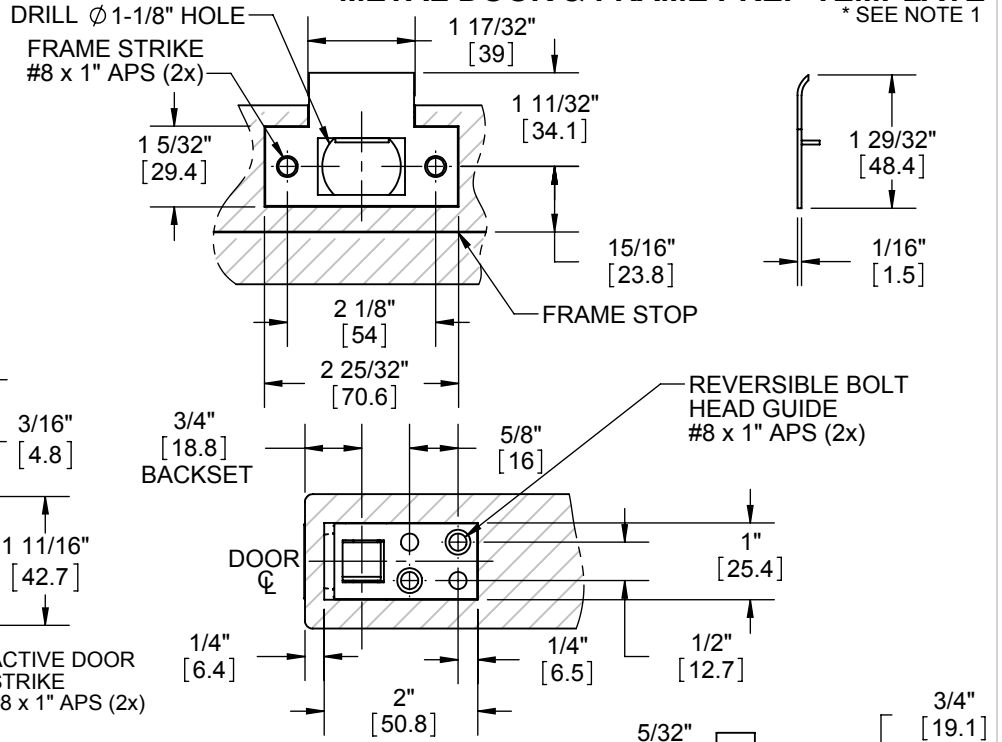
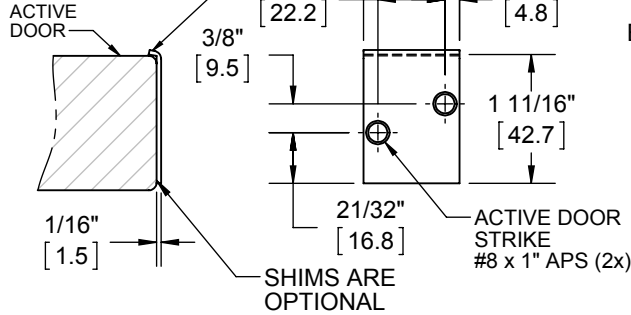
NOTES:

- 293D CONSISTS OF ONE 292S AND ONE 293S FOR TWO POINT LATCHING.
- 293D HAS A 3 HR FIRE RATING FOR METAL DOORS UP TO 4 FT. X 9 FT. TALL.
- DIMENSIONS SHOWN ON THIS TEMPLATE ARE FOR TOP FLUSH BOLTS. FOR BOTTOM FLUSH BOLTS BOLTS INVERT & MEASURE FROM BOTTOM EDGE OF DOOR.
- WHEN TWO POINT LATCHING IS REQUIRED, IT IS RECOMMENDED THAT ONE 293S CONSTANT LATCHING FLUSH BOLT BE USED WITH ONE 292S AUTOMATIC FLUSH BOLT, WITH THE 293S INSTALLED AT THE TOP OF THE DOOR.
- ACTIVE DOOR STRIKE SHOULD BE MOUNTED ON AT BOTTOM OF ACTIVE DOOR IF A 292S IS MOUNTED AT THE BOTTOM OF INACTIVE DOOR.

293S/293D* CONSTANT LATCHING FLUSHBOLT METAL DOOR & FRAME PREP TEMPLATE

* SEE NOTE 1

INSTALL CURVED LIP ON THE DOOR EDGE THAT MAKES INITIAL CONTACT WITH BOTTOM FLUSHBOLT ON THE INACTIVE DOOR



NOTE: HAGER RESERVES THE RIGHT TO MAKE PART CHANGES AND IS NOT RESPONSIBLE FOR OBSOLETE DRAWING ERRORS. TO ENSURE YOUR DRAWING IS CURRENT VISIT WWW.HAGERCO.COM.

NOT TO SCALE

DIMENSIONS IN [] ARE IN MILLIMETERS

TEMPLATE NO: T293S

DRAWING NO: T-TA00172

REV: 04

SHEET 1 OF 1

HAGER COMPANIES 139 Victor Street, St. Louis, MO 63104 - (800) 325-9995 - Fax (800) 782-0149

