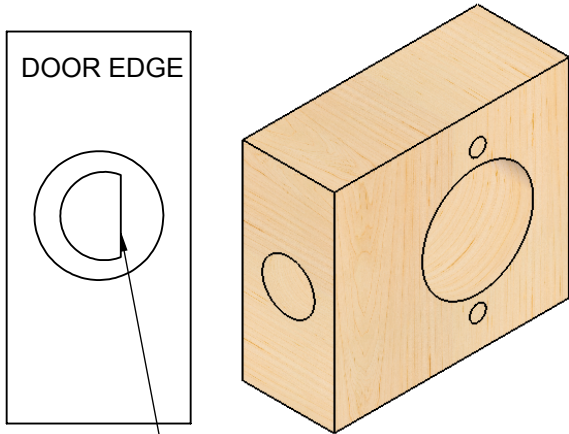
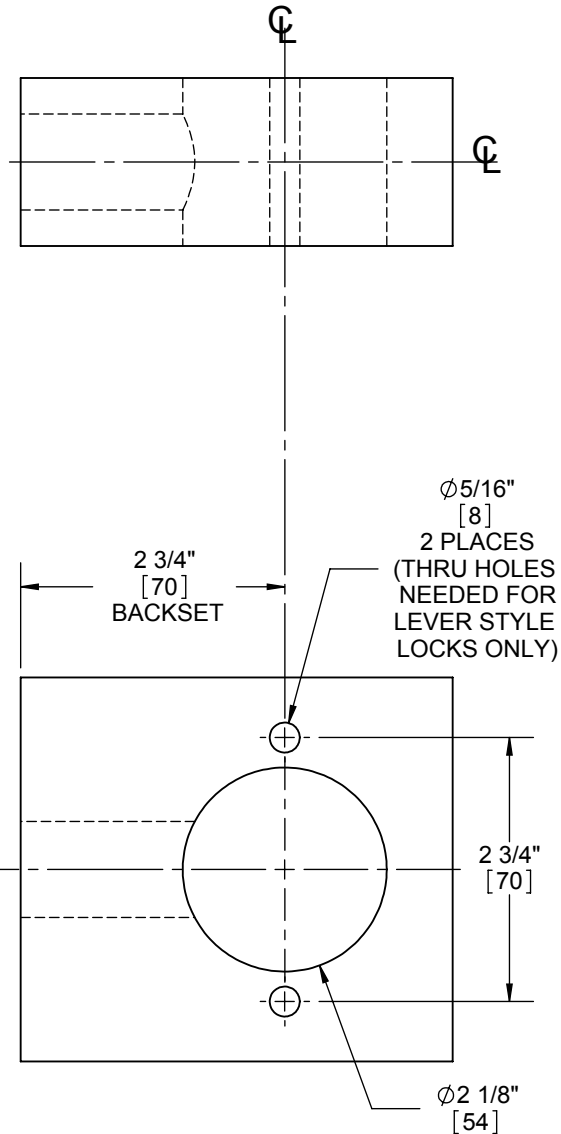
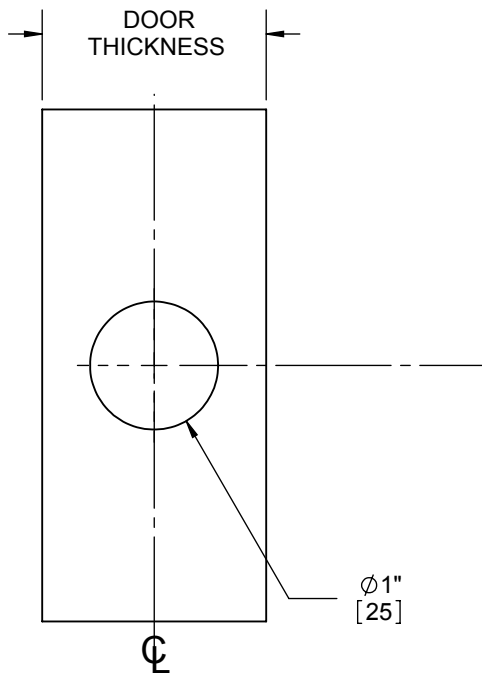


# 2500 SERIES LOCKSET

## DRIVE-IN LATCHBOLT TEMPLATE (2-3/4" BACKSET)



MAKE SURE TO PROPERLY ORIENT LATCH FOR DESIRED CLOSING BEFORE PRESSING INTO DRILLED HOLE.



**NOTE:** INSERT LATCH INTO  $\phi 1''$  [25] HOLE USING FINGER PRESSURE. THEN WHILE HOLDING A PIECE OF WOOD OVER THE LATCH FACE, STRIKE WITH A Mallet UNTIL LATCH IS SITTING FLUSH WITH DOOR EDGE.

- DOOR TYPE:** WOOD OR COMPOSITE, FLAT
- DOOR THICKNESS:** 1 3/8"[35] - 2"[51]
- FACEPLATE:** CIRCULAR DRIVE-IN
- BACKSET:** 2 3/4"

DIMENSIONS IN [ ] ARE IN MILLIMETERS

