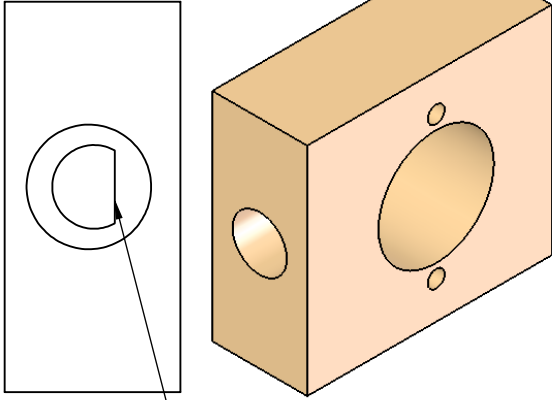
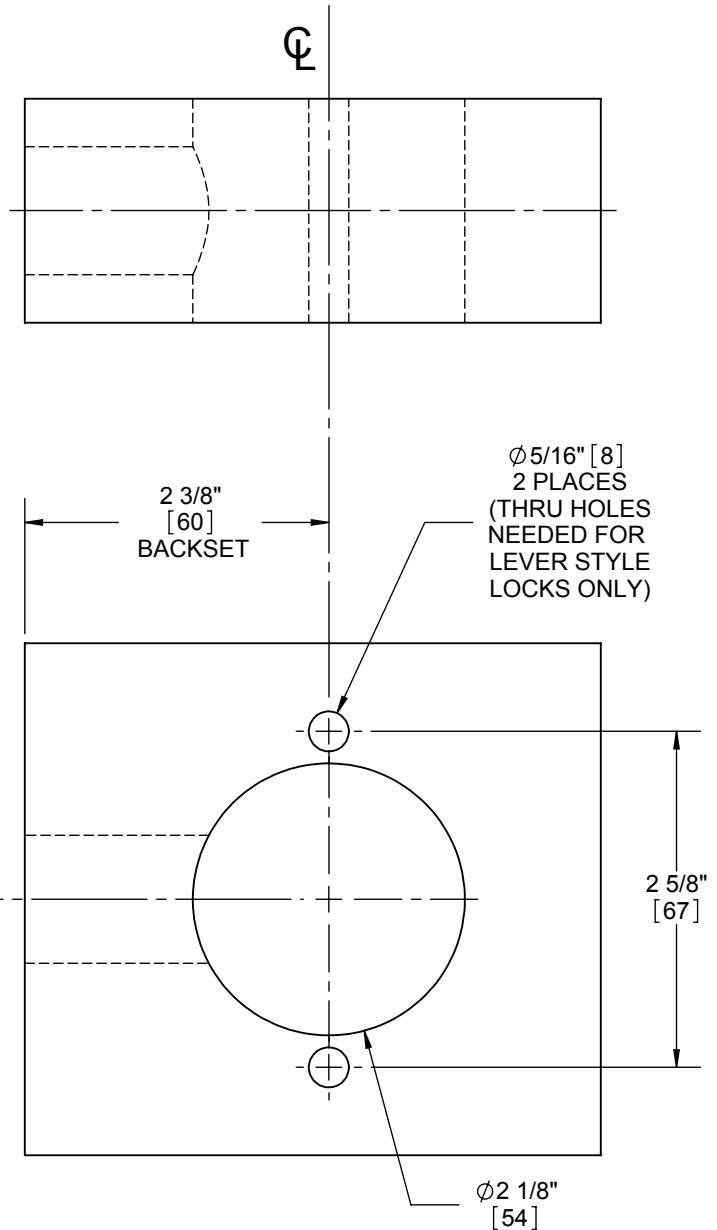
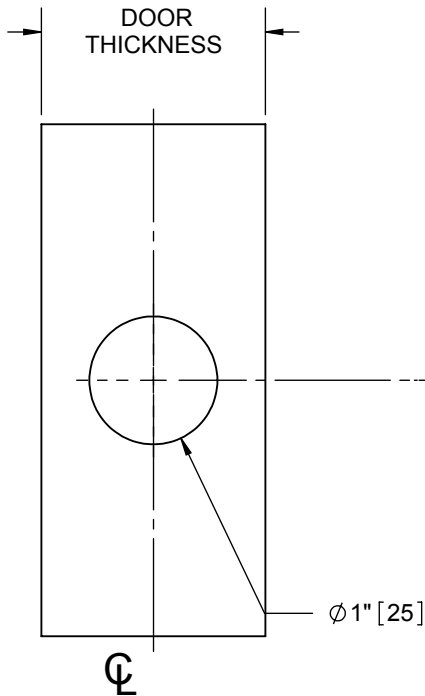


REV.	DESCRIPTION	ECO NO.	DATE
01	ADD LATCH ORIENTATION NOTE		3/10/2008
02	UPDATED THRU HOLE NOTE		5/8/2008

DOOR EDGE



MAKE SURE TO PROPERLY ORIENT LATCH FOR DESIRED CLOSING BEFORE PRESSING INTO DRILLED HOLE.



NOTE: INSERT LATCH INTO $\varnothing 1" [25]$ HOLE USING FINGER PRESSURE. THEN WHILE HOLDING A PIECE OF WOOD OVER THE LATCH FACE, STRIKE WITH A Mallet UNTIL LATCH IS SITTING FLUSH WITH DOOR EDGE.

- DOOR TYPE:** WOOD OR COMPOSITE, FLAT
- DOOR THICKNESS:** KNOB 1 3/8"[35] - 1 3/4"[45], LEVER 1 3/8"[35] - 2"[51]
- FACEPLATE:** CIRCULAR DRIVE-IN
- BACKSET:** 2 3/8"

DIMENSIONS IN [] ARE IN MILLIMETERS



HAGER RESERVES THE RIGHT TO MAKE DESIGN CHANGES WITHOUT NOTICE. CALL HAGER ENGINEERING AT 1-800-325-9995 FOR THE LATEST REVISION DATE OF TEMPLATE.

PRIMARY DIMENSIONS SHOWN IN INCHES, DIMENSIONS IN [] ARE MILLIMETERS.

DRAWN	MRJ	2/10/2008
ENG. APPR.	-	-
MATERIAL	Q.A.	
FINISH	-	
TOLERANCES:		
FRACTIONAL: $\pm 0.015"$		
ANGULAR: MACH: $\pm 1^\circ$ BEND: $\pm 1^\circ$		
TWO PLACE DECIMAL: $\pm 0.01"$		
THREE PLACE DECIMAL: $\pm 0.004"$		
DO NOT SCALE DRAWING		

3500	
DRIVE-IN LATCHBOLT DOOR TEMPLATE (2-3/8 BACKSET)	
SIZE A	DWG. NO. T-LS00239
SCALE: 1:2	WEIGHT: -
REV. 02	SHEET 1 OF 1