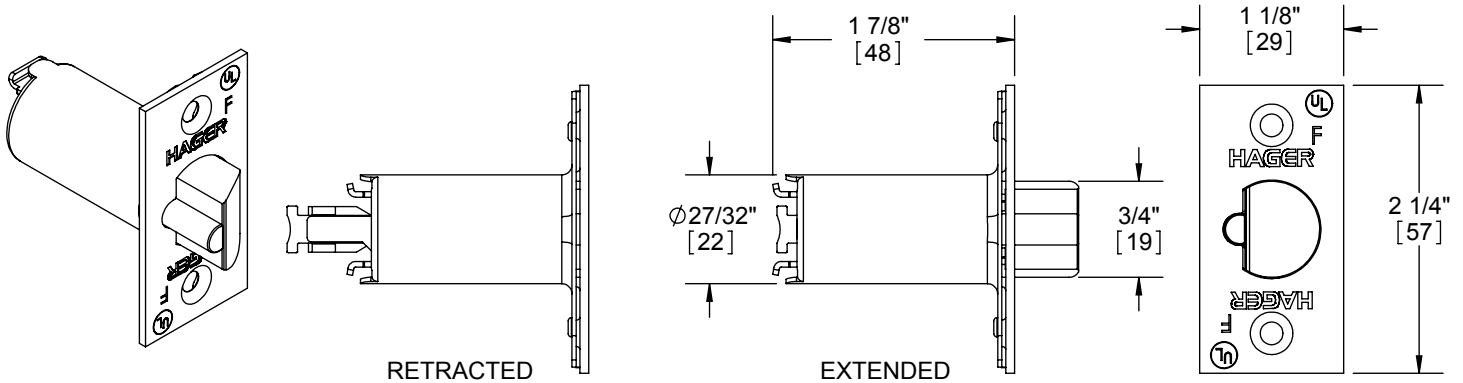
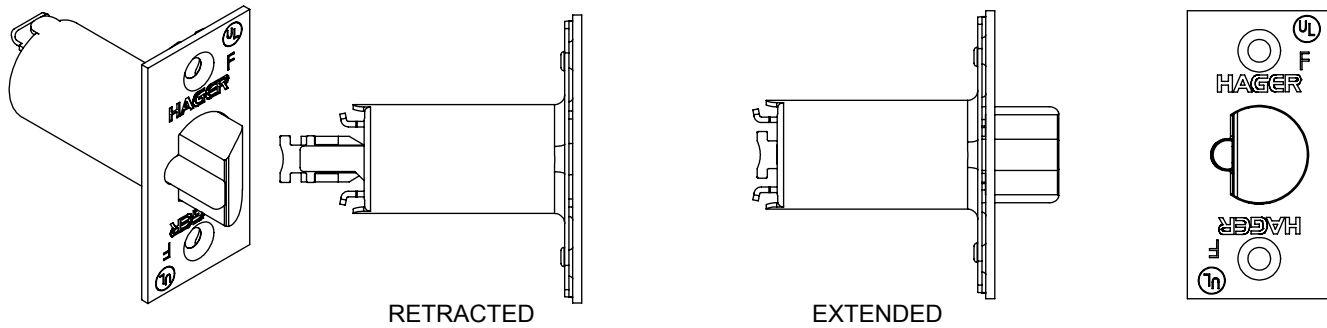


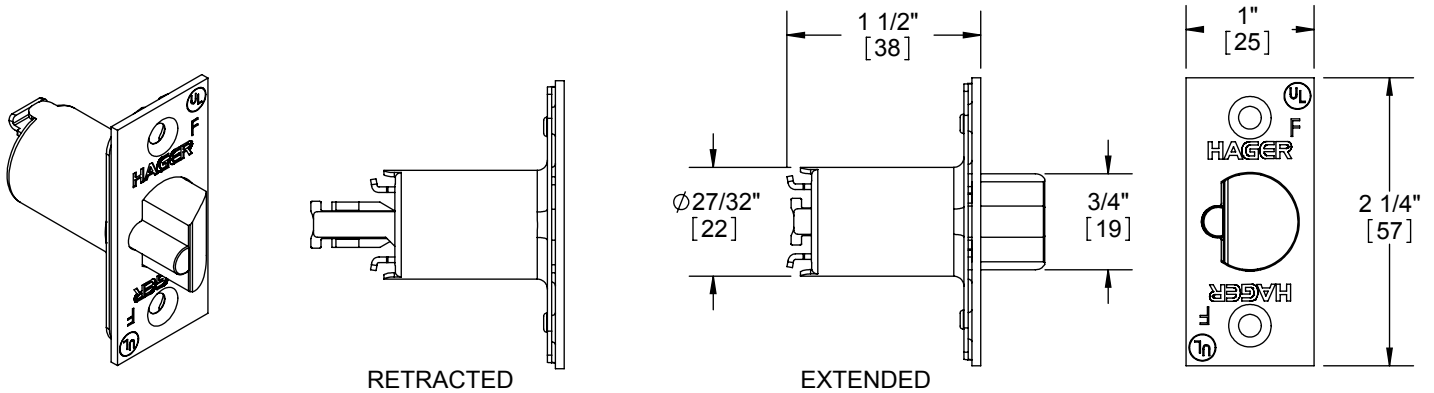
3948 DEAD LATCH FOR 2-3/4" BACKSET



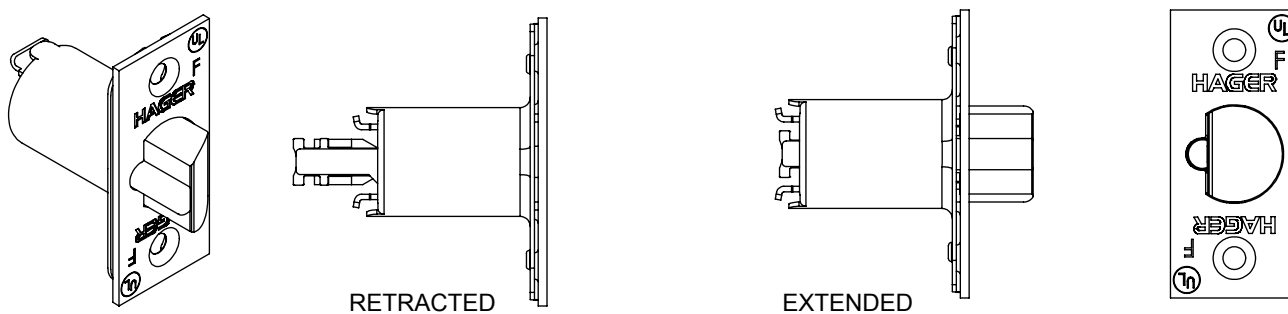
3995 DEAD LATCH FOR 2-3/4" BACKSET (73 FUNCTION)



3950 DEAD LATCH FOR 2-3/8" BACKSET



3994 DEAD LATCH FOR 2-3/8" BACKSET (73 FUNCTION)



HAGER RESERVES THE RIGHT TO MAKE DESIGN CHANGES WITHOUT NOTICE. CALL HAGER ENGINEERING AT 1-800-325-9995 FOR THE LATEST REVISION DATE OF TEMPLATE.

PRIMARY DIMENSIONS SHOWN IN INCHES, DIMENSIONS IN [] ARE MILLIMETERS.

MATERIAL
Material <not specified>

FINISH

DO NOT SCALE DRAWING

DRAWN	MRJ	1/31/2008
ENG. APPR.	-	-
Q.A.		
TOLERANCES:		
FRACTIONAL: ±0.015"		
ANGULAR: MACH: ± 1° BEND: ±1°		
TWO PLACE DECIMAL: ±0.01"		
THREE PLACE DECIMAL: ±0.004"		

2500 / 3500		3948 DEAD LATCH (2-3/4" BACKSET)	
SIZE	DWG. NO.	REV.	
A	T-LS00210	04	
SCALE: 1:1	WEIGHT: 0.03	SHEET 1 OF 1	