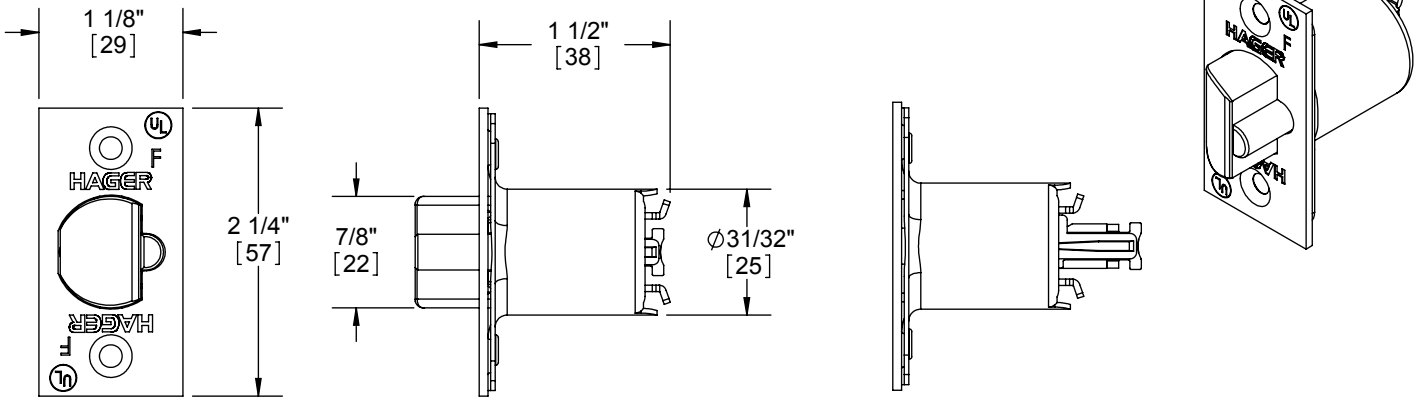
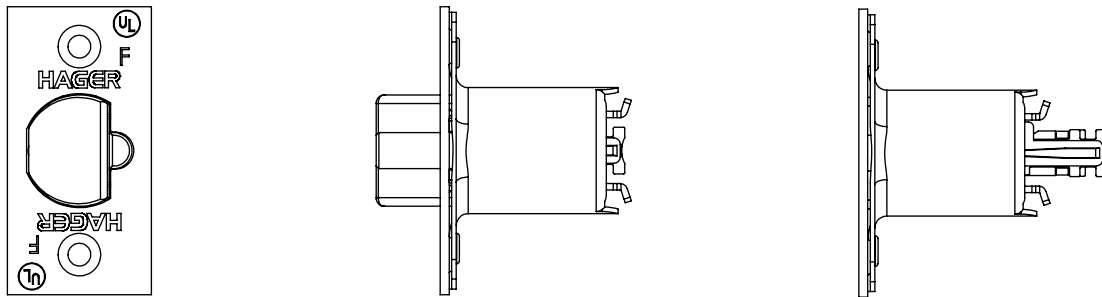


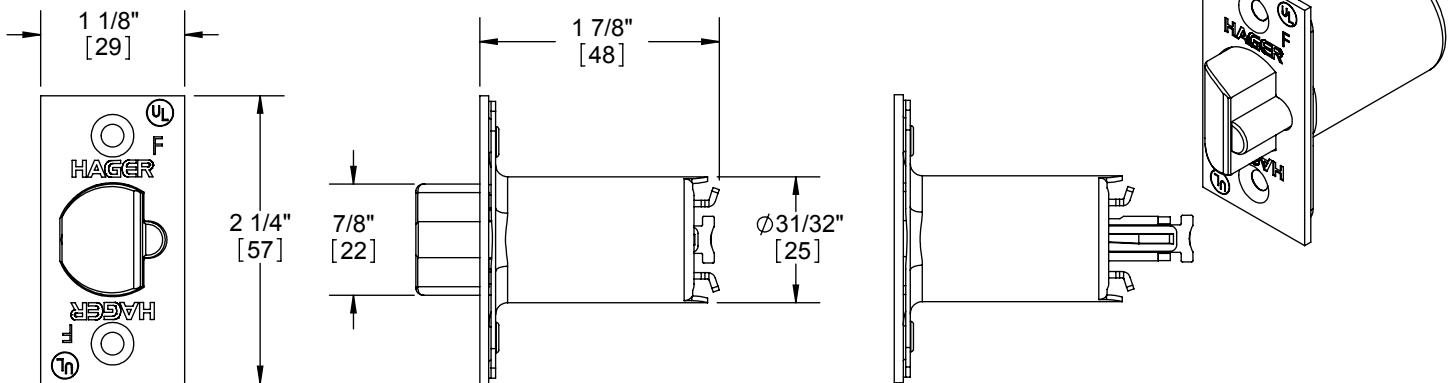
**3946 DEAD LATCH FOR 2-3/8" BACKSET (50, 53, 70, 79, 80, 95 FUNCTIONS)**



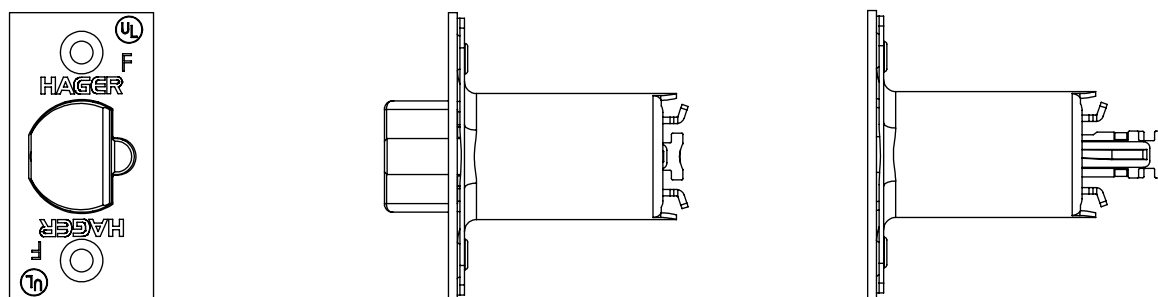
**3992 DEAD LATCH FOR 2-3/8" BACKSET (73 FUNCTION)**



**3944 DEAD LATCH FOR 2-3/4" BACKSET (50, 53, 70, 79, 80, 95 FUNCTIONS)**



**3993 DEAD LATCH FOR 2-3/4" BACKSET (73 FUNCTION)**



HAGER RESERVES THE RIGHT TO MAKE DESIGN CHANGES WITHOUT NOTICE. CALL HAGER ENGINEERING AT 1-800-325-9995 FOR THE LATEST REVISION DATE OF TEMPLATE.

PRIMARY DIMENSIONS SHOWN IN INCHES, DIMENSIONS IN [ ] ARE MILLIMETERS.

DRAWN	MRJ	1/24/2008
ENG. APPR.	-	-
MATERIAL	Material <not specified>	
FINISH	-	
DO NOT SCALE DRAWING		
TOLERANCES: FRACTIONAL: ±0.015" ANGULAR: MACH: ±1° BEND: ±1° TWO PLACE DECIMAL: ±0.01" THREE PLACE DECIMAL: ±0.004"		

**3400 SERIES  
DEAD LATCH**

SIZE	DWG. NO.	REV.
<b>A</b>	T-LS00208	01
SCALE: 1:1	WEIGHT: 0.11	SHEET 1 OF 1