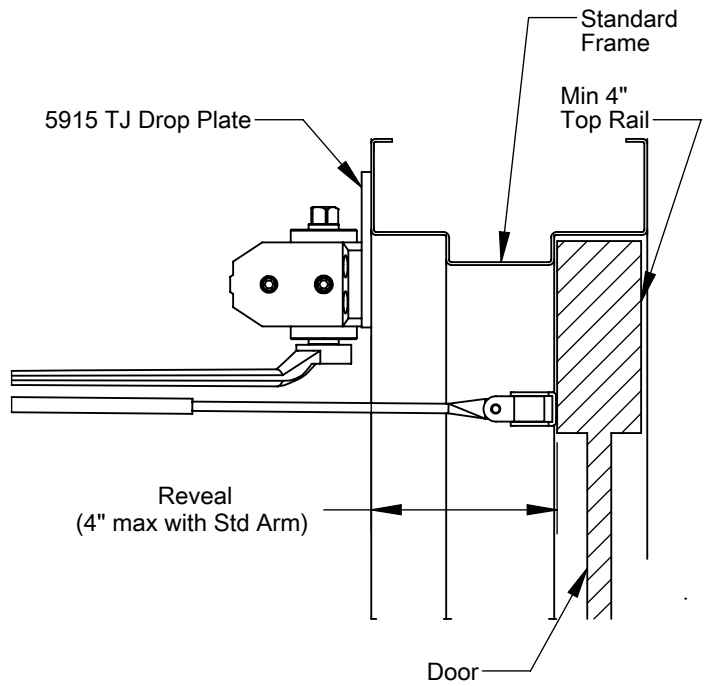
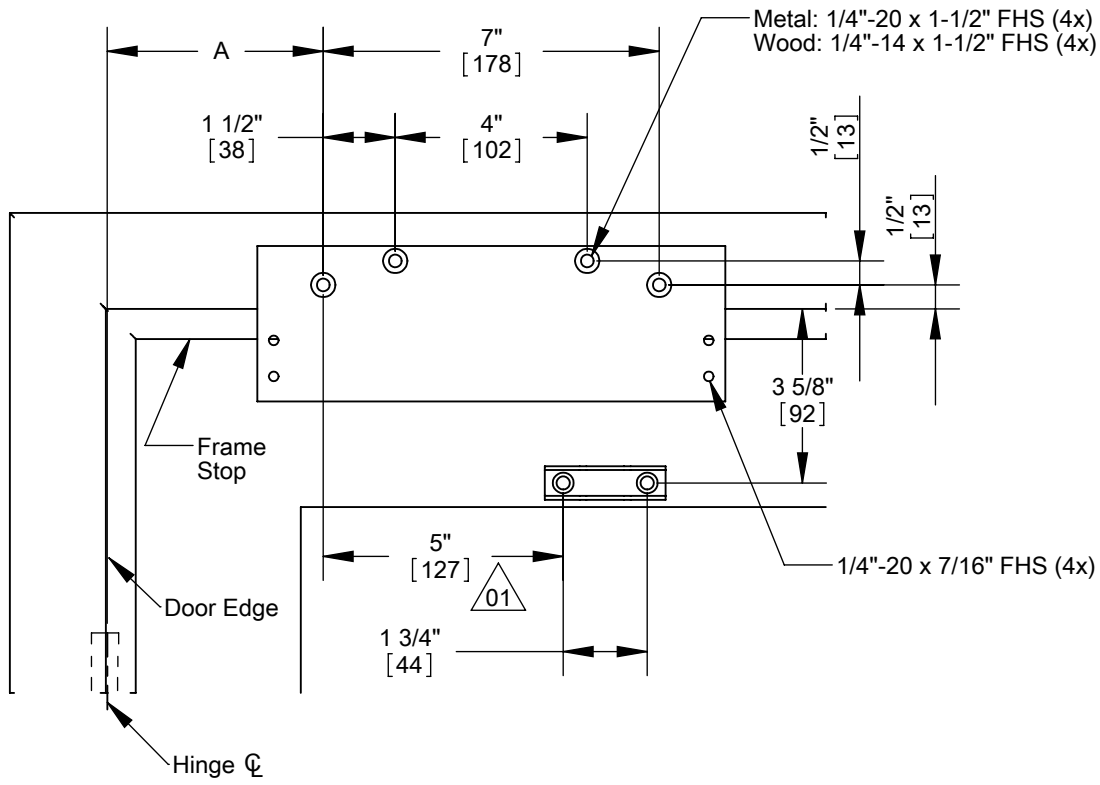


REVISIONS			
REV.	DESCRIPTION	DATE	APPROVED
01	ADDED DIMENSION	7/23/2007	



Opening	Dim. A
To 100°	8-1/2" [216mm]
101° to 120°	7" [178mm]
121° to 180°	4-1/2" [114mm]

• LEFT HAND DOOR SHOWN, RIGHT HAND OPPOSITE.



HAGER RESERVES THE RIGHT TO MAKE DESIGN CHANGES WITHOUT NOTICE. CALL HAGER ENGINEERING AT 1-800-325-9995 FOR THE LATEST REVISION DATE OF TEMPLATE.

PRIMARY DIMENSIONS SHOWN IN INCHES, DIMENSIONS IN [ ] ARE MILLIMETERS.

MATERIAL	-
FINISH	per order
DO NOT SCALE DRAWING	

DRAWN	T Sveitlis	3/8/06
ENG. APPR.		
TOLERANCES:		
FRACTIONAL: ±0.015"		
ANGULAR: MACH: ± 1° BEND: ±1°		
TWO PLACE DECIMAL: ±0.01"		
THREE PLACE DECIMAL: ±0.004"		

5915 Top Jamb Mounting Plate Template		
SIZE	DWG. NO.	REV.
A	T-CL00155	-01
SCALE: 1:4	WEIGHT:	SHEET 1 OF 1