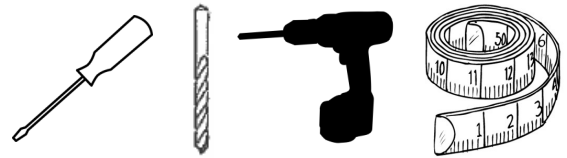


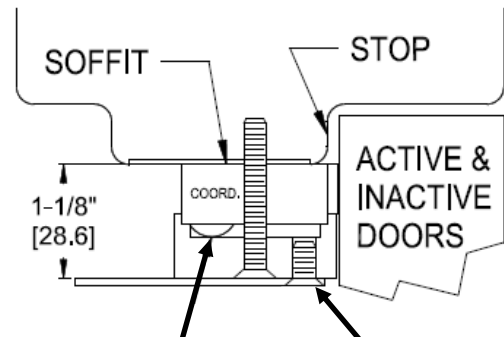
The 297B Inline Bracket is used to mount parallel arm closers, non-fire rated vertical rod strikes, or any other soffit applied hardware when using the 297D Series Coordinator. The 297B bracket mounts through the coordinator allowing for installation on any frame dimension regardless of the soffit width.

TOOLS REQUIRED



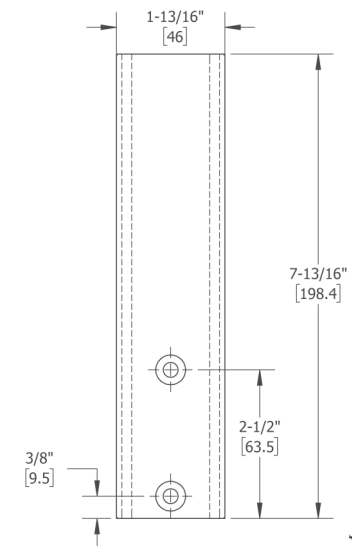
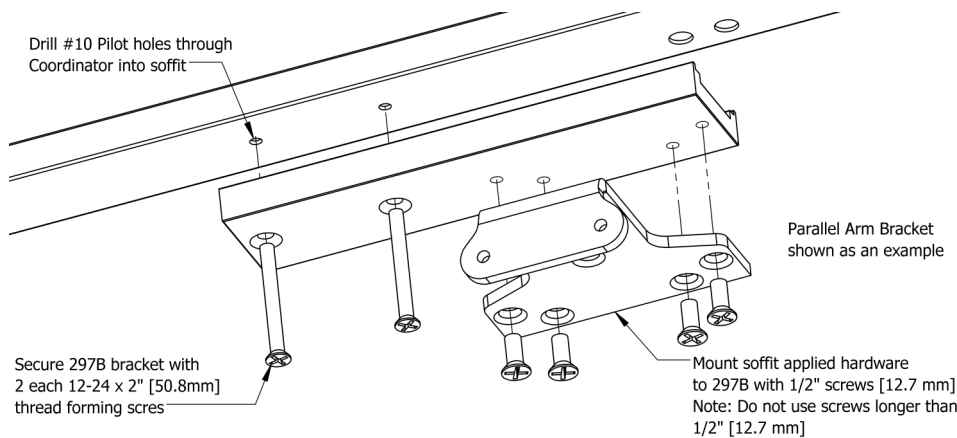
Installation Instructions:

1. Mount the 297D Coordinating Device per instructions.
2. Position 297B bracket in desired location.
3. Locate and mark 297B mounting holes onto Coordinator.
Note: Do not drill in shaded areas highlighted in the drawing below. Flip bracket around to avoid these areas if necessary
4. Drill 2 each, #10 pilot holes through coordinator and into the soffit
5. Secure 297B bracket to 297D Coordinator by using 2 each 12-24 x 2" [50.8] thread forming screws.
6. Drill and tap 297B bracket for soffit applied hardware
7. Install soffit applied hardware with 4 each 1/4-20 x 1/2" [12.7] FH screws.
Note: Do not use screws longer than 1/2" [12.7].



297B bracket can mount over the Coordinator's mounting hardware

Install soffit applied hardware to 297B bracket using 1/4-20 x 1/2" screws



Dimensions in [] denotes millimeters

