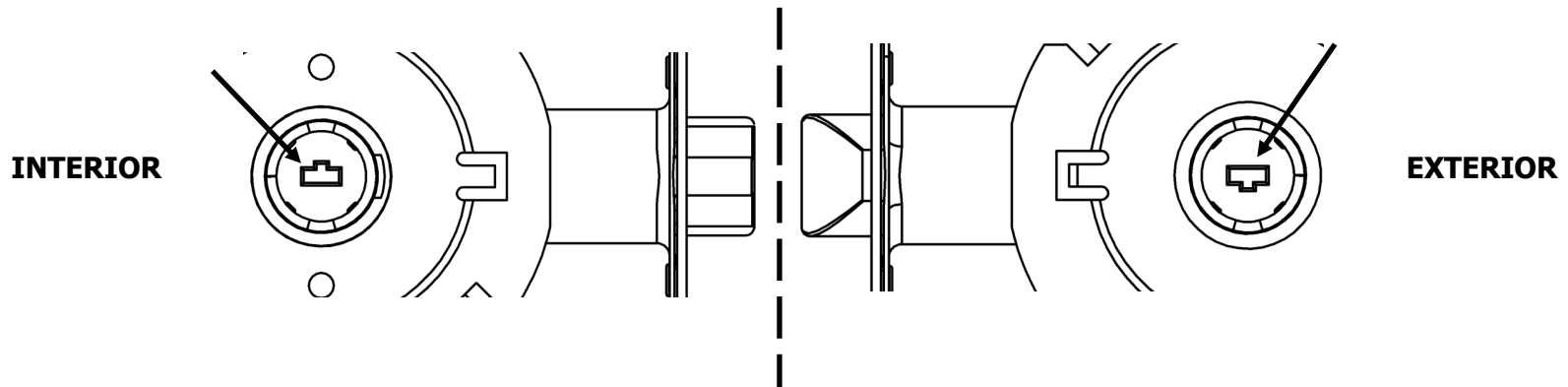
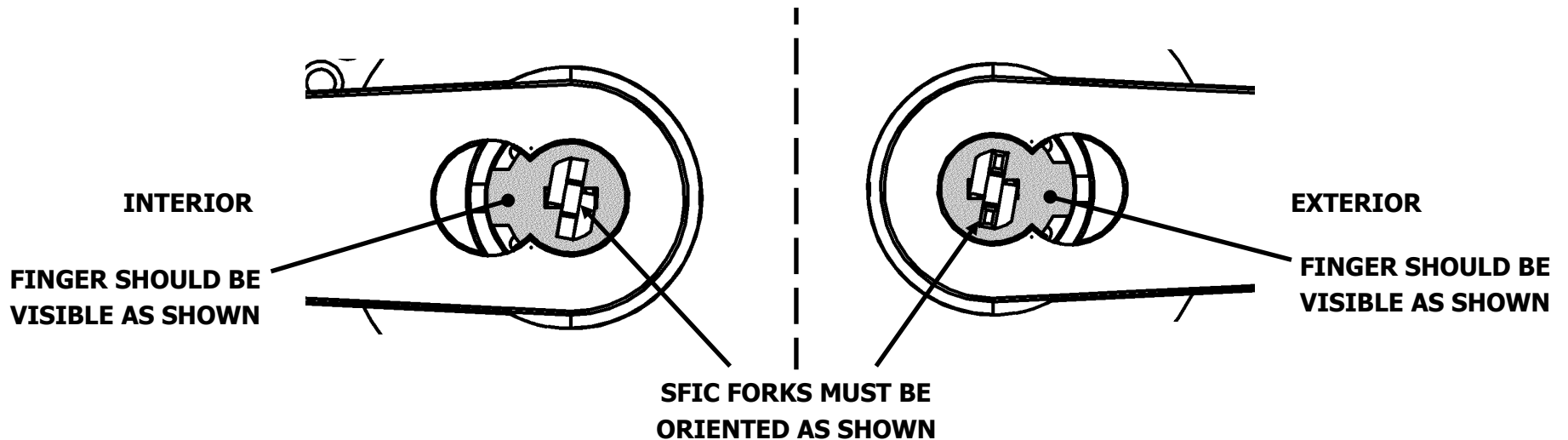


DOOR HANDING: RH/RHR

STEP 1: Using a flat blade screwdriver, orient the cams in the lock chassis as shown below



STEP 2: Orient the tailpieces in the mating spring cages to match the cams above. Install the exterior spring cage first, followed by the interior spring cage, lining up the cams and tailpieces so they mate together. Do not force the fit.

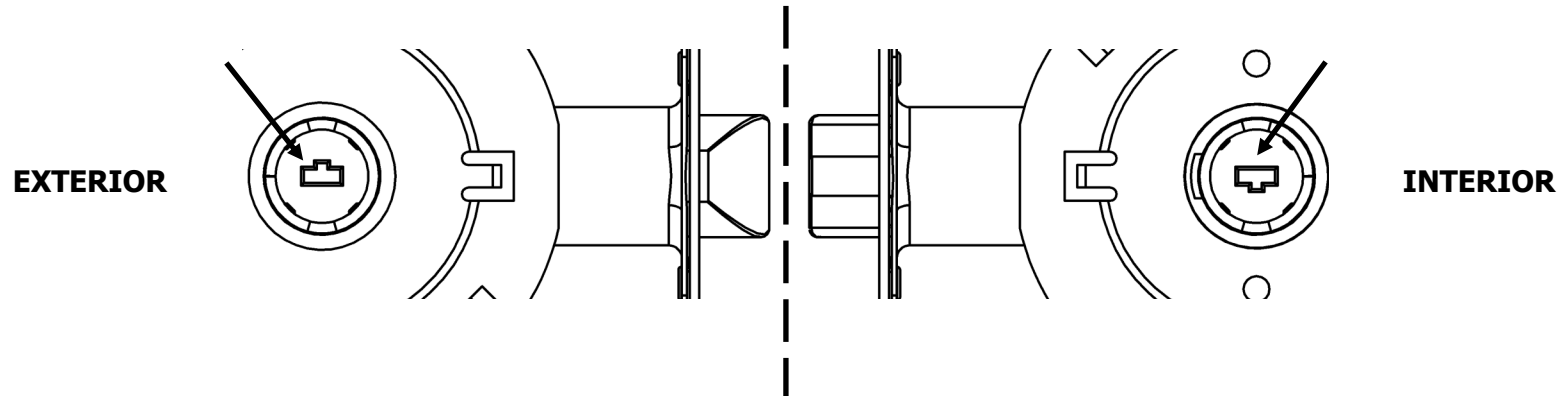


STEP 3: Install SFIC Cores in both levers

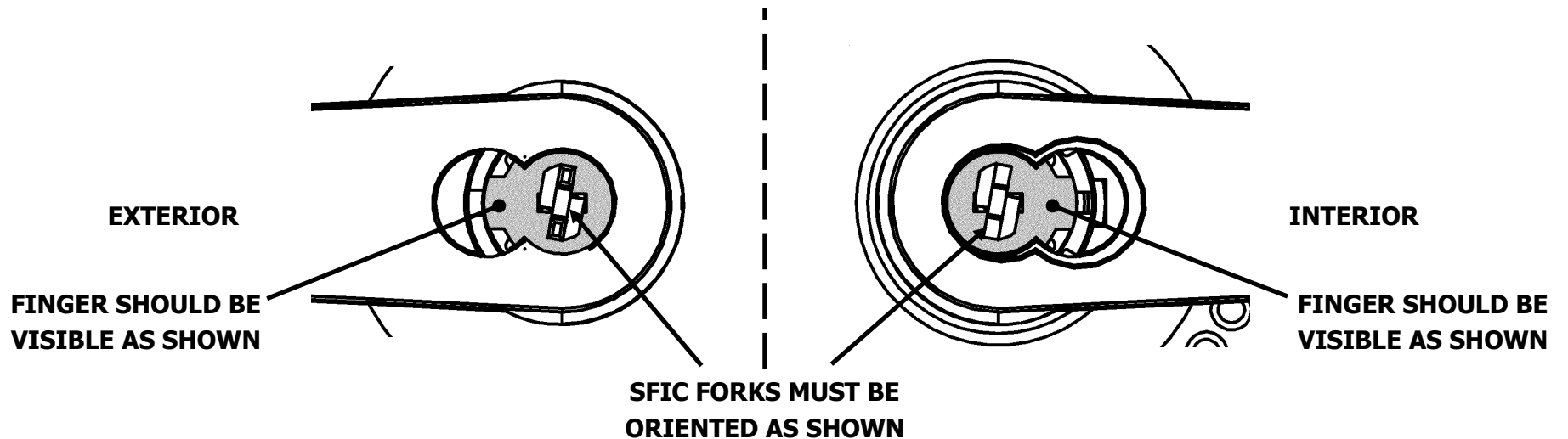
VERIFY INSTALLATION: Using the keys, check the lock timing. The lock is properly timed if the key rotates 360° to lock and unlock the door.

DOOR HANDING: LH/LHR

STEP 1: Using a flat blade screwdriver, orient the cams in the lock chassis as shown below



STEP 2: Orient the tailpieces in the mating spring cages to match the cams above. Install the exterior spring cage first, followed by the interior spring cage, lining up the cams and tailpieces so they mate together. Do not force the fit.



STEP 3: Install SFIC Cores in both levers

VERIFY INSTALLATION: Using the keys, check the lock timing. The lock is properly timed if the key rotates 360° to lock and unlock the door.