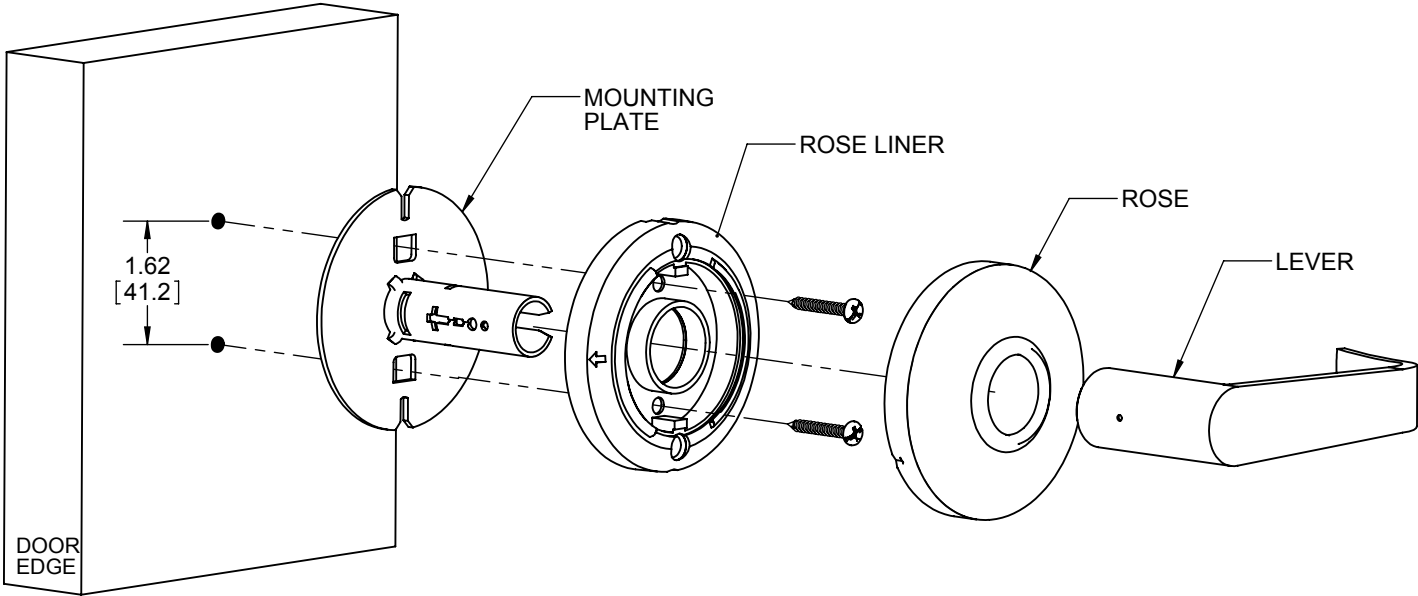


3517 REV 1 DUMMY INSTRUCTIONS DIRECT DOOR MOUNTING

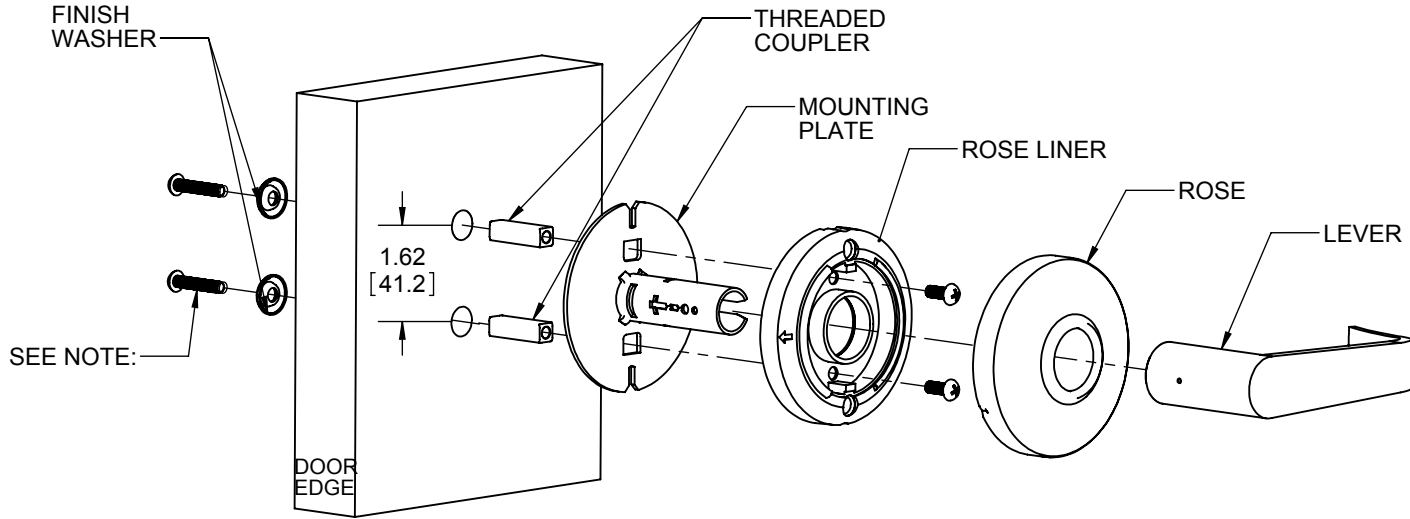


1. **WOOD DOOR** - DRILL (2) 1/8"[3.2] DIAMETER PILOT HOLES 1" [25.4] DEEP IN THE FACE OF THE DOOR.
METAL DOOR - DRILL (2) 11/64"[4.4] DIAMETER PILOT HOLES INTO THE FACE OF THE DOOR. TAP HOLES USING 8-32 TAP.
2. INSERT MOUNTING PLATE THROUGH ROSE LINER SO THEY SIT FLUSH.
3. **WOOD DOOR** - SCREW (2) #8 X 1-1/8" WOOD SCREWS INTO THE DOOR TO SECURE THE ROSE LINER AND MOUNTING PLATE.
METAL DOOR - SCREW (2) 8-32 x 1" MACHINE SCREWS INTO THE DOOR TO SECURE ROSE LINER AND MOUNTING PLATE.
4. INSTALL ROSE OVER ROSE LINER.
5. INSERT LEVER UNTIL IT SNAPS SECURELY IN PLACE.

DIMENSIONS IN [] ARE IN MILLIMETERS

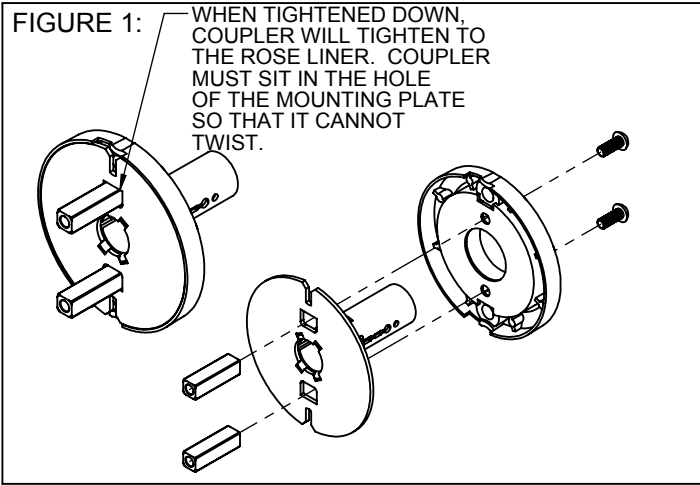


3517 REV 1 DUMMY INSTRUCTIONS THRU DOOR MOUNTING



NOTE:
FOR 1-3/8"[35] THICK DOOR, USE 1"[25.4] LONG MACHINE SCREWS.
FOR 1-3/4"[45] THICK DOOR, USE 1-3/8"[35] LONG MACHINE SCREWS.

1. DRILL (2) 1/2"[12.7] DIAMETER HOLES THRU THE FACE OF THE DOOR. (FOR WOOD DOORS, DRILL HALF WAY THRU BOTH SIDES OF THE DOOR TO AVOID SPLINTERING.)
2. INSERT MOUNTING PLATE THROUGH ROSE LINER SO THEY SIT FLUSH.
3. TIGHTEN ROSE LINER AND MOUNTING PLATE TOGETHER USING (2) 1/2"[12.7] LONG MACHINE SCREWS AND (2) THREADED COUPLERS. SEE FIGURE 1.
4. PLACE NEWLY ASSEMBLED PARTS ON OUTSIDE FACE OF THE DOOR.
5. TIGHTEN ASSEMBLY TO THE DOOR USING (2) MACHINE SCREWS AND (2) FINISH WASHERS (MACHINE SCREWS SHOULD TIGHTEN TO THE THREADED COUPLERS INSIDE DRILLED HOLES IN THE DOOR).
6. MAKE SURE BOTH SIDES ARE COMPLETELY TIGHTENED DOWN AND THEN INSTALL THE ROSE OVER THE ROSE LINER.
7. INSERT LEVER UNTIL IT SNAPS SECURELY IN PLACE.



DIMENSIONS IN [] ARE IN MILLIMETERS

DRAWING NO: I-LS00319

REV: 01

SHEET 2 OF 3

HAGER COMPANIES 139 Victor Street, St. Louis, MO 63104 - (800) 325-9995 - Fax (800) 782-0149

