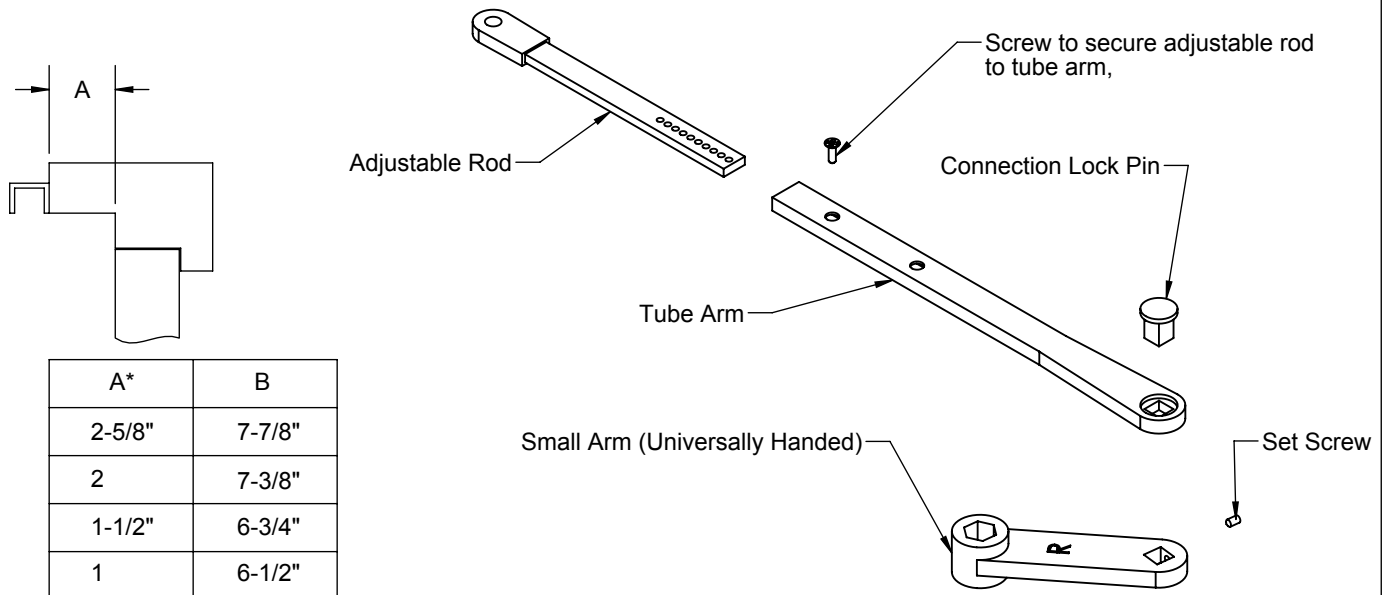
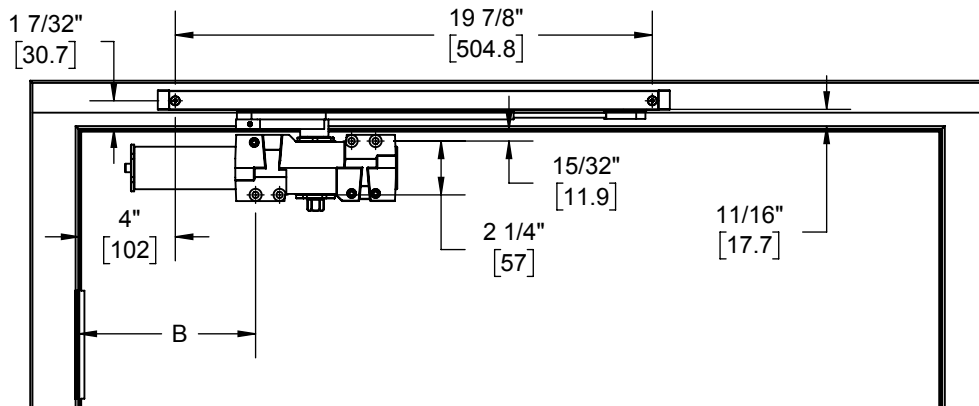


PARTS - DE TRACK ARM (RIGHT HAND SHOWN)



* "A" DIMMENSION IS FROM FRONT FACE OF DOOR TO FRONT FACE OF EGRESSED FRAME WHERE TRACK MOUNTS AS ILLUSTRATED ABOVE.

INSTALL DE TRACK ARM - PULL SIDE APPLICATION (RIGHT HAND SHOWN) 120° TEMPLATE



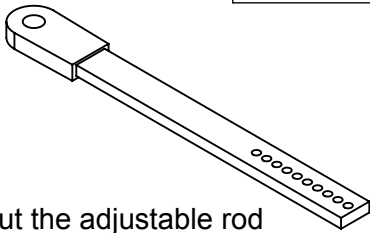
NOTE: IF USER WISHES TO HAVE A LESSER SWING ANGLE, SIMPLY MOVE HOLD OPEN STOP OR STOP ONLY AWAY FROM THE PIVOT HINGE IN INCREMENTS OF 1/2" UNTIL DESIRED ANGLE IS ACHIEVED.

Installation Sequence:

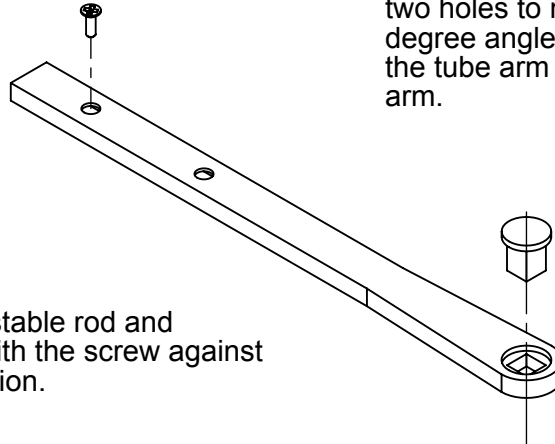
1. Use template above to locate mounting holes on door and frame. Drill 1/8" pilot holes for the self tapping screws.
2. Determine door width, adjust spring power of closer by referencing closer installation instructions.
3. Fasten closer body to door with power adjustment nut toward hinge.
4. Fasten slide track to frame face with open side facing down and with hold open stop end toward hinge edge of door.
5. Place slide arm on pinion shaft of closer at preload of 30 degrees out from door face.
6. Secure arm with arm washer and arm screw.
7. Push arm towards door to pretension closer then secure other end of slide arm to track by screwing it to the slide insert. Open door to required opening angle. Then slide stop only/hold open stop up against slider insert and tighten down the stop only/hold open stop via set screw.

DOUBLE EGRESS ARM (RIGHT HAND SHOWN)

1. Put the adjustable rod into tube arm as shown.



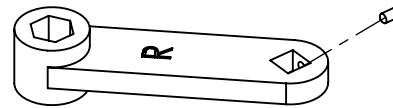
2. Put the small arm with L side up and align the two holes to make a 45 degree angle between the tube arm and small arm.



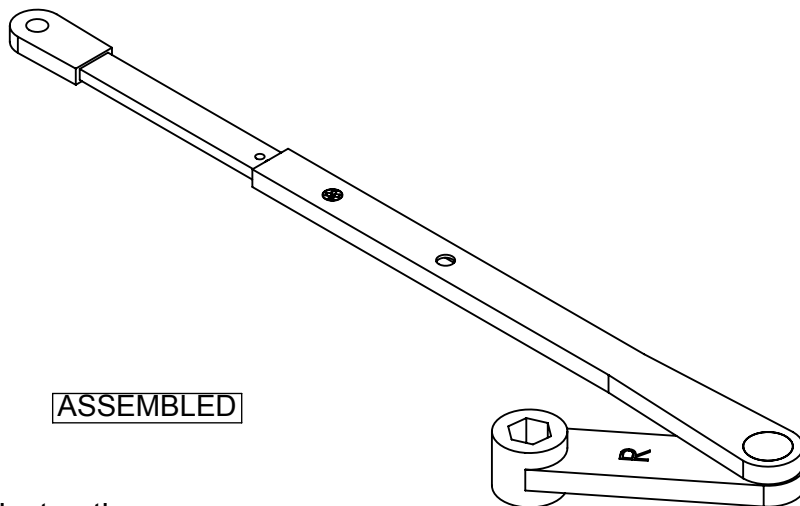
3. Put the connecting pin thru the 2 holes as shown.

5. Tighten the adjustable rod and the tube together with the screw against the actual dimension.

EXPLODED



4. Tighten the set screw.



ASSEMBLED

Installation instructions:

1. Universally handed DE arm is for installations on double egress doors and frames, pull side only. For push side mountings on double egress frames, use standard arm PA or Top Jamb mounting.
2. Reference instructions above for arm assembly. Right hand shown. For left hand simply mirror the short arm 45 degrees to the opposite side and flip short arm to where the L is facing up.
3. Reference instructions on page 1 for specific mounting with closer and track.