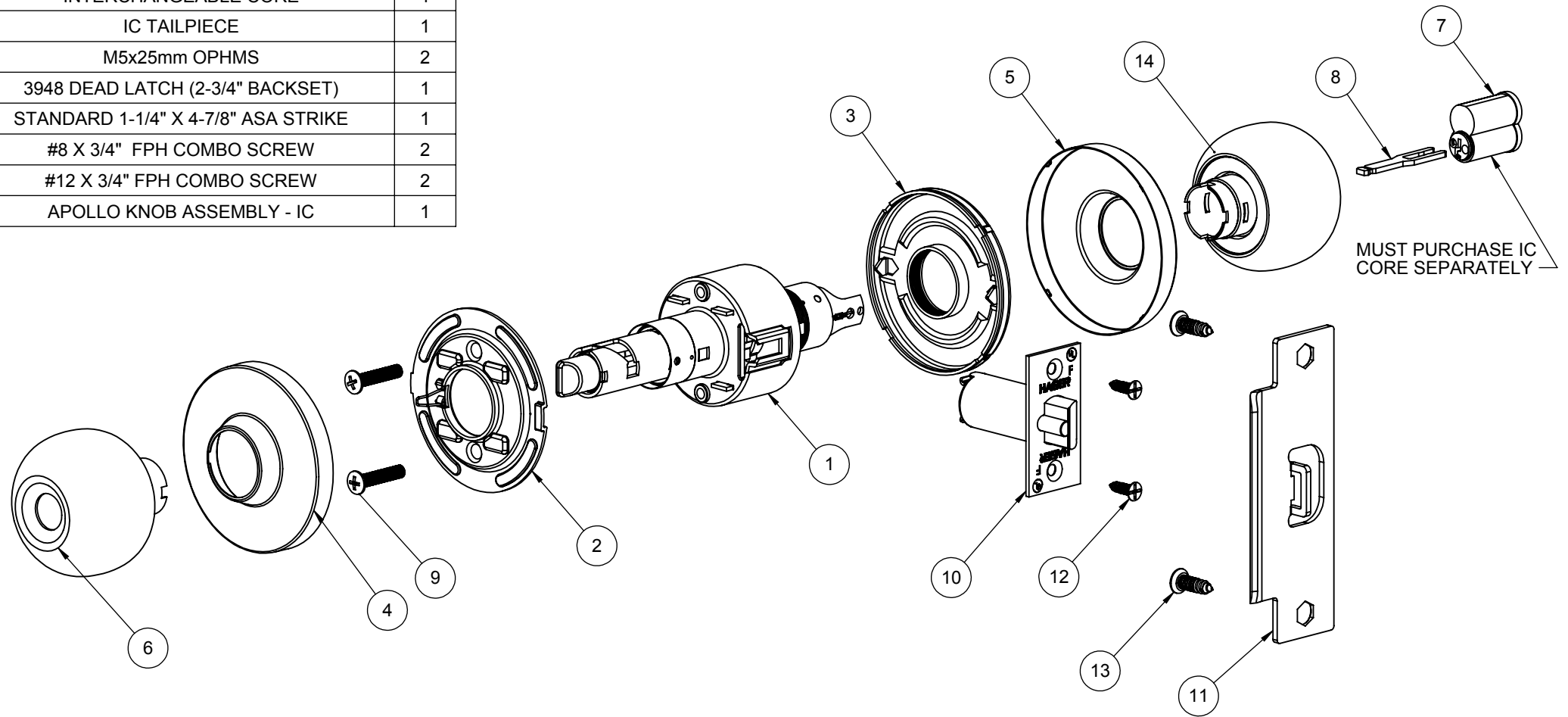



ITEM NO.	FILE NUMBER	DESCRIPTION	QTY.
1	S-LS00960	KNOBSET CHASSIS - 53 FUNCTION - IC	1
2	S-LS00966	INSIDE ROSE LINER	1
3	S-LS00962	OUTSIDE ROSE LINER	1
4	S-LS00952	INSIDE ROSE (KNOB)	1
5	S-LS00952	OUTSIDE ROSE (KNOB)	1
6	S-LS00953	APOLLO PUSHBUTTON KNOB	1
7	S-LS00550	INTERCHANGEABLE CORE	1
8	S-LS00225	IC TAILPIECE	1
9	Oval Head_AM	M5x25mm OPHMS	2
10	S-LS00306	3948 DEAD LATCH (2-3/4" BACKSET)	1
11	S-LS00236	STANDARD 1-1/4" X 4-7/8" ASA STRIKE	1
12	S-LS00882	#8 X 3/4" FPH COMBO SCREW	2
13	S-LS00882	#12 X 3/4" FPH COMBO SCREW	2
14	S-LS01055	APOLLO KNOB ASSEMBLY - IC	1



 <b>PROPRIETARY &amp; CONFIDENTIAL</b> THE INFORMATION CONTAINED IN THIS DRAWING IS THE SOLE PROPERTY OF HAGER COMPANIES. ANY REPRODUCTION IN PART OR AS A WHOLE WITHOUT THE WRITTEN PERMISSION OF HAGER COMPANIES IS PROHIBITED.	HAGER RESERVES THE RIGHT TO MAKE DESIGN CHANGES WITHOUT NOTICE. CALL HAGER ENGINEERING AT 1-800-325-9995 FOR THE LATEST REVISION DATE OF TEMPLATE.	DRAWN	MRJ	11/22/2010	<b>3553</b> <b>GRADE 2 - ENTRY KNOBSET - IC</b>		
		ENG. APPR.	-	-			
		MATERIAL	Material <not specified>			Q.A.	
		FINISH	-			TOLERANCES: FRACTIONAL: ±0.015" ANGULAR: MACH: ±1° BEND: ±1° TWO PLACE DECIMAL: ±0.01" THREE PLACE DECIMAL: ±0.004"	
DO NOT SCALE DRAWING		SIZE	DWG. NO.		REV.		
		<b>B</b>	S-LS01052		<b>02</b>		
		SCALE: 1:4	WEIGHT: 1.28		SHEET 1 OF 1		