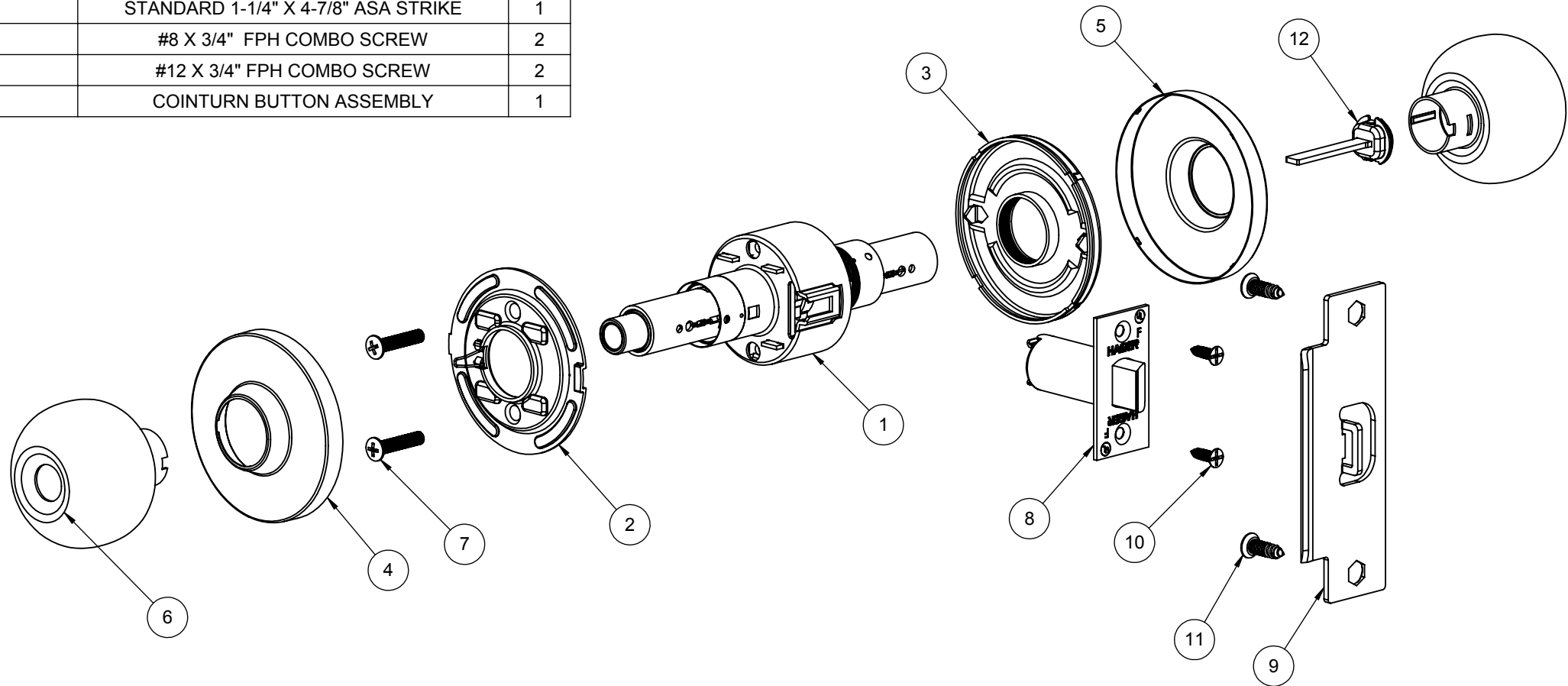



ITEM NO.	FILE NUMBER	DESCRIPTION	QTY.
1	S-LS00960	KNOBSET CHASSIS - 40 FUNCTION	1
2	S-LS00966	INSIDE ROSE LINER	1
3	S-LS00962	OUTSIDE ROSE LINER	1
4	S-LS00952	INSIDE ROSE (KNOB)	1
5	S-LS00952	OUTSIDE ROSE (KNOB)	1
6	S-LS00953	APOLLO PUSHBUTTON KNOB	2
7	Oval Head_AM	M5x25mm OPHMS	2
8	S-LS00306	3965 SPRING LATCH (2-3/4" BACKSET)	1
9	S-LS00236	STANDARD 1-1/4" X 4-7/8" ASA STRIKE	1
10	S-LS00882	#8 X 3/4" FPH COMBO SCREW	2
11	S-LS00882	#12 X 3/4" FPH COMBO SCREW	2
12	S-LS01042	COINTURN BUTTON ASSEMBLY	1



 <p>PROPRIETARY & CONFIDENTIAL</p> <p>THE INFORMATION CONTAINED IN THIS DRAWING IS THE SOLE PROPERTY OF HAGER COMPANIES. ANY REPRODUCTION IN PART OR AS A WHOLE WITHOUT THE WRITTEN PERMISSION OF HAGER COMPANIES IS PROHIBITED.</p>	<p>HAGER RESERVES THE RIGHT TO MAKE DESIGN CHANGES WITHOUT NOTICE. CALL HAGER ENGINEERING AT 1-800-325-9995 FOR THE LATEST REVISION DATE OF TEMPLATE.</p>	MATERIAL	Material <not specified>	DRAWN	MRJ	11/22/2010	<p>3540 GRADE 2 - PRIVACY KNOBSET</p>			
		FINISH	-	ENG. APPR.	-	-			Q.A.	
		DO NOT SCALE DRAWING			<p>TOLERANCES:</p> <p>FRACTIONAL: ±0.015"</p> <p>ANGULAR: MACH: ± 1° BEND: ±1°</p> <p>TWO PLACE DECIMAL: ±0.01"</p> <p>THREE PLACE DECIMAL: ±0.004"</p>			SIZE	DWG. NO.	REV.
								B	S-LS01050	01
						SCALE:1:4	WEIGHT: 1.31	SHEET 1 OF 1		