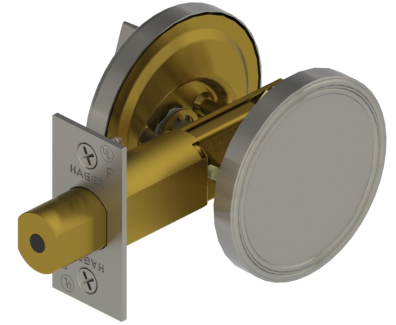


3220 Thumbturn with Blank Plate (no cylinder) Deadlock

Grade 2 Deadlock



Applications:

- Auxiliary and primary locking
- Non-handed

Function:

- 20 - Thumbturn with Back Plate (ANSI E21112)



PRODUCT SPECIFICATIONS

CERTIFICATIONS:

- BHMA Certified ANSI A156.5 Grade 2
- ANSI A250.13 Severe Windstorm Resistant Component
- UL/cUL Listed for all functions up to 3 hours for "A" label single doors
- UL10C Positive Pressure Rated
- UL10B Neutral Pressure Rated
- ADA - Thumbturn
- Lifetime warranty

EXPOSED TRIM:

- Wrought brass, stainless steel or bronze

MECHANISM:

- Steel, zinc dichromate plating

DOOR THICKNESS:

- 1-3/4" (35 mm) Only

BACKSET:

- 2-3/8" - 2-3/4" (60mm - 70mm) adjustable backset

LATCHBOLT:

- 1" (25 mm) Throw - Brass with concealed hardened steel roller to prevent sawing or cutting
- 2-1/4" x 1-1/8" (57 mm x 29 mm) square corner faceplate

STRIKES:

- 3930 Square Corner, 1-1/8" x 2-3/4" (29 mm x 70 mm) with dustbox - Standard
- 3929 ASA Deadbolt Strike - Optional

STANDARD DOOR PREP:

- Cylinder hole: 2-1/8" (54 mm) diameter (cross bore)
- Latch hole: 1" (25 mm) diameter (edge bore)

FINISHES:

- US3, US4, US10, US10B, US26D, US32D

FUNCTIONS:

- 20 - Thumbturn only w/ blank plate

OPTIONS:

- Split finish
- Additional deadbolts and strikes available