

3450 Entry/Office Lockset Lever

Grade 1 Cylindrical Lever

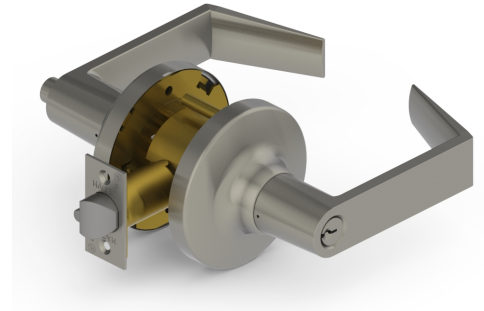
Application:

- Extra Heavy-Duty Commercial - Industrial - Institution

- No exposed mounting screws
- Non-handed

Function:

- Entry/Office (ANSI F82A)



PRODUCT SPECIFICATIONS

CERTIFICATIONS:

- BHMA Certified ANSI A156.2, Series 4000, Grade 1
- ADA Compliant ANSI A117.1 Accessibility Code
- ANSI A250.13 Severe Windstorm Resistant Component
- UL/cUL Listed for all functions up to 3 hours for "A" label single doors (for double door application, UL/cUL Listed when used with 3/4" latchbolt)
- UL10C Positive Pressure Rated
- UL10B Neutral Pressure Rated
- Miami-Dade County, Florida NOA# 17-1226.23, Exp. Aug. 16, 2022. Must specify.
- Lifetime warranty

EXPOSED TRIM:

- Lever: Cast zinc
- Rose: Wrought brass or stainless steel

LOCK CHASSIS:

- Heavy gauge steel, zinc dichromated for corrosion resistance
- Free wheeling levers
- Thru-bolt mounting levers

ROSE DIAMETER:

- 3-17/32" (90 mm) levers; 3" (76 mm) knobs

KEYS:

- Two operating keys supplied per lock

CYLINDERS/CORES:

- Brass 6-pin, keyed different - Schlage C Keyway - standard
- Cylinder drilled 6 pin, Keyed 5 pin - standard
- Other keying options, including keyed 6-pin, available from factory
- Zero bit cylinders will be 6 pin - standard
- SFIC uncombined or combined, brass 6- or 7-pin sold separately
- Large Format Interchangeable Core option available
- LFIC zero bitted or combined, brass 6-pin sold separately - Schlage C keyway only

DOOR THICKNESS:

- Levers: 1-3/8" - 2" (35 mm - 51 mm)

BACKSET:

- 2-3/4" (70 mm) - standard
- 2-3/8" (60 mm) - optional
- 3-3/4" (94 mm) - optional
- 5" (128 mm) - optional

LATCHBOLT:

- 1/2" (13 mm) throw, stainless steel
- 1-1/8" x 2-1/4" (29 mm x 57 mm) faceplate
- Deadlocking latchbolt prevents manipulation when door is closed, keyed functions only
- Square corner faceplates standard, round corner available
- 3/4" (19 mm) latch available

STRIKES:

- 3935 ASA 1-1/4" x 4-7/8" (32 mm x 124 mm) strike - Standard

FINISHES:

- US3, US4, US10, US10B, US26, US26D

FUNCTIONS:

- 50 - Office

OPTIONS:

- Lead lined
- Tactile knurling
- Split finish
- Additional latchbolts and strikes available

STANDARD DOOR PREP:

- 2-1/8" (54 mm) diameter with thru-bolt holes (cross bore)
- Latch hole - 1" (25 mm) diameter (edge bore)

LEVER OPTIONS:

- [Archer](#), [August](#), [Withnell](#) levers

INSTALLATION:

- Comes pre-set for 1-3/4" thick doors for quicker installation
- Threaded mounting bracket adjusts to proper door thickness in seconds
- Only two screws needed to fully secure inside and outside assemblies to the door
- Screws will ratchet tight letting installer know the lockset is properly tightened
- Roses and levers snap on in seconds

EPD:

- [3400 Cylindrical Lock Environmental Product Declaration](#)

